



SPEED
CHAMPIONS

76912





Get excited about our new packaging!

We're switching from plastic to paper-based packaging. That's why you might find a mix of paper and plastic in our boxes!

Nos nouveaux emballages vous emballeront !

Nous passons des emballages en plastique aux emballages à base de papier. C'est pourquoi vous pourriez trouver un mélange de papier et de plastique dans nos boîtes !

¡Te presentamos nuestros nuevos empaques!

Estamos sustituyendo las bolsas de plástico por bolsas con base de papel. ¡Por eso, puedes encontrar una mezcla de papel y de plástico en nuestras cajas!

[LEGO.com/sustainable-packaging](https://www.lego.com/sustainable-packaging)



Check for compatibility
Kompatibilität prüfen
Vérifier la compatibilité
Controlla la compatibilità
Comprueba tu compatibilidad
Verificar a compatibilidade
Ellenőrizd a kompatibilitást
Pārbaudīt saderību
Verificarea compatibilității
检查兼容性

LEGO.com/devicecheck

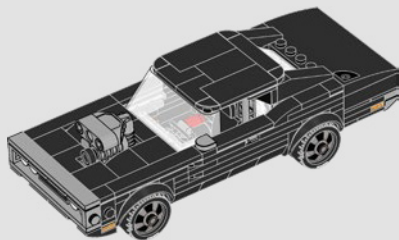
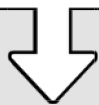
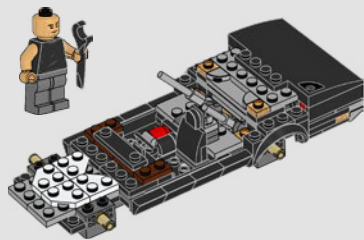
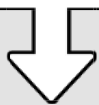
乐高®拼搭指引

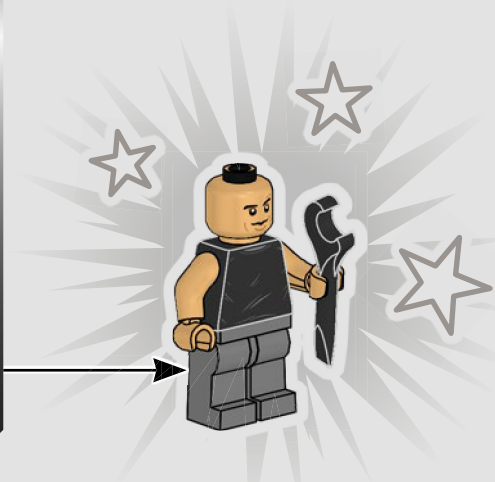
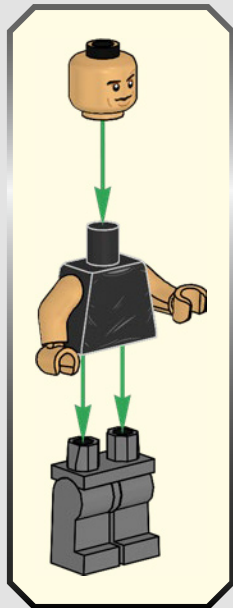


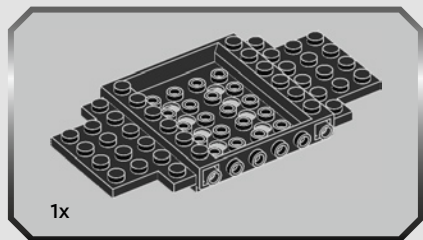
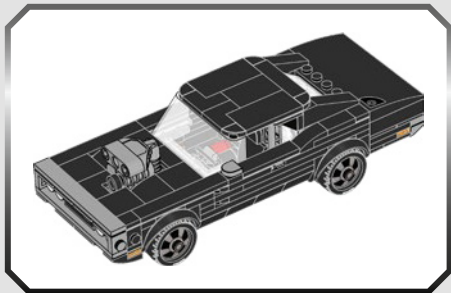
LEGO® Building Instructions



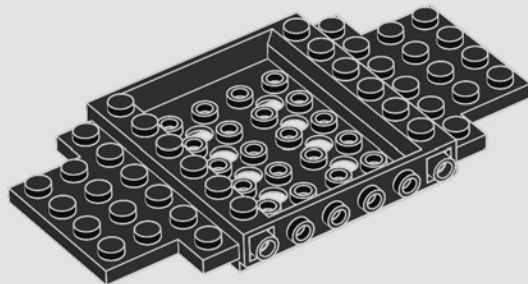
Apple and the Apple logo are trademarks of Apple Inc.
Google Play and the Google Play logo are trademarks of Google LLC.
Tencent and the Tencent logo are trademarks of Tencent Inc.

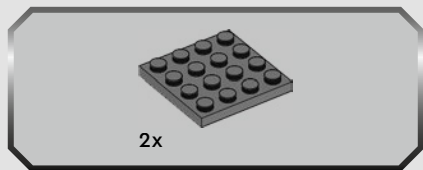




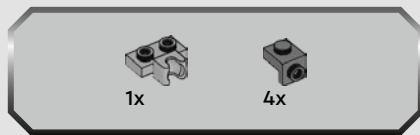
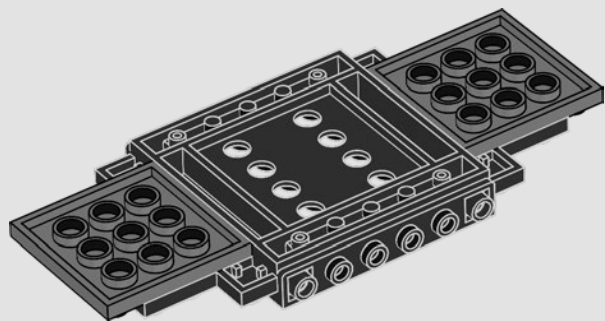


1

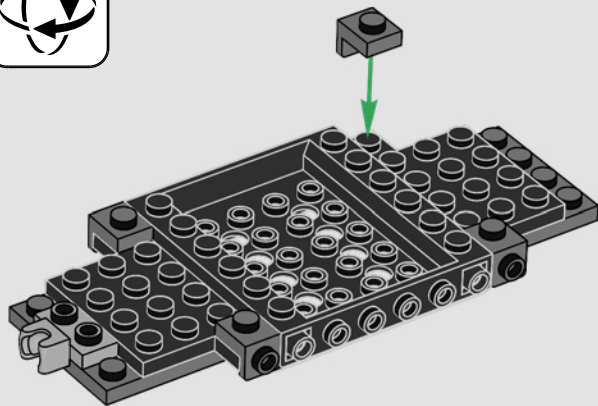


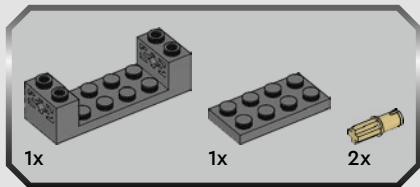


2

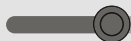
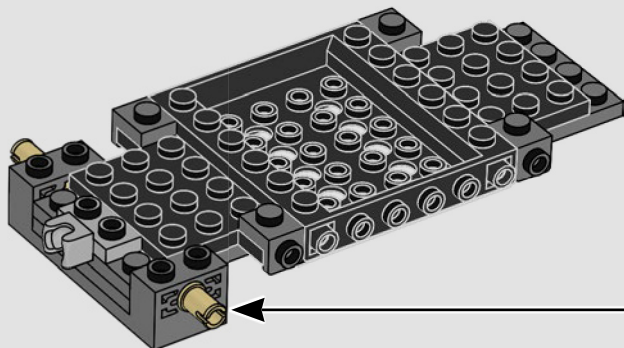
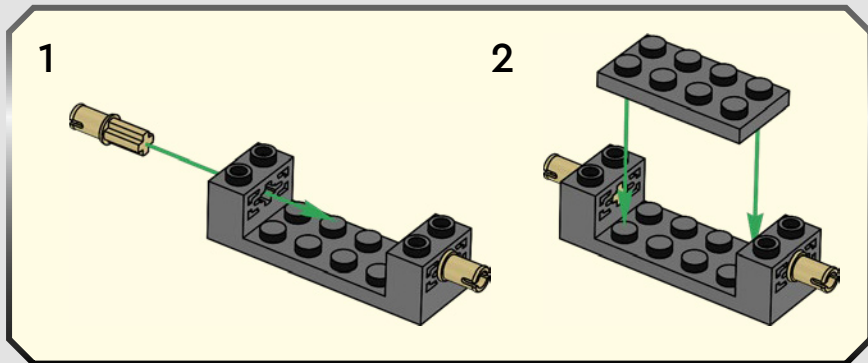


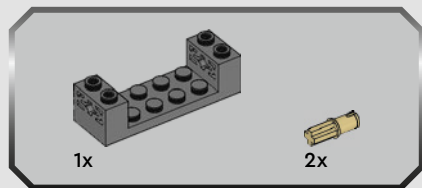
3



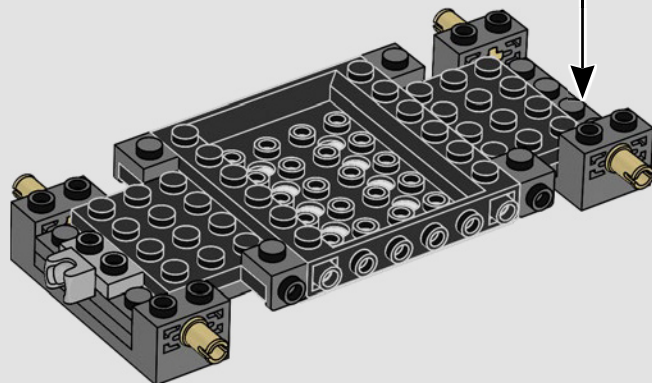
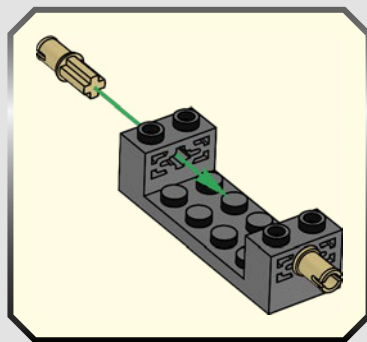


4





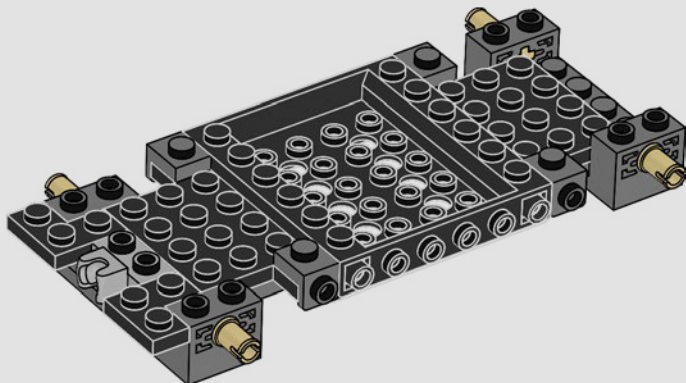
5





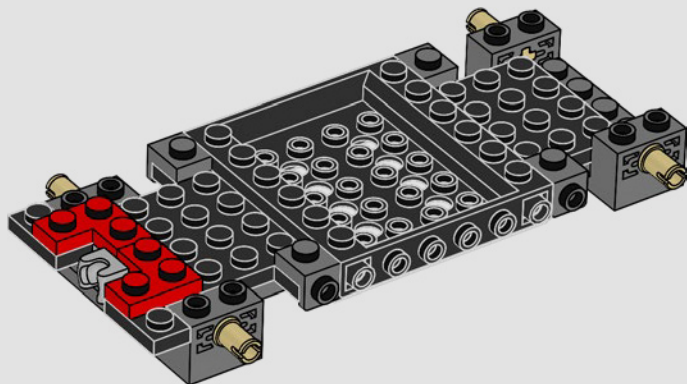
2x

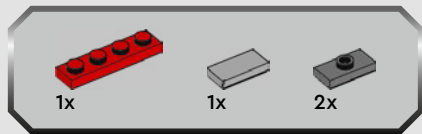
6



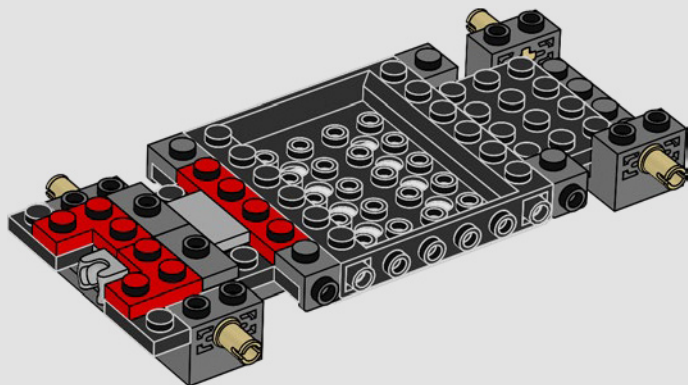


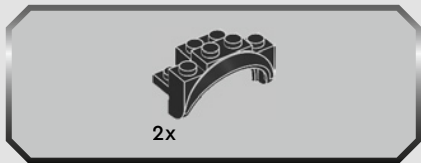
7



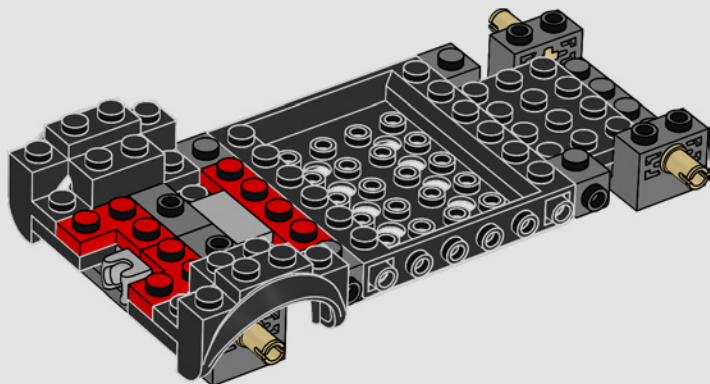


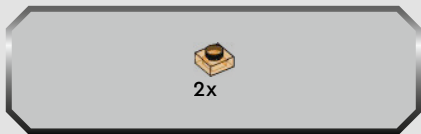
8



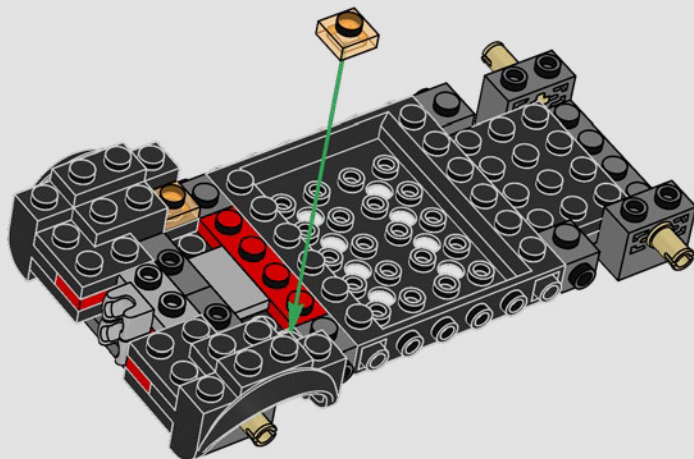


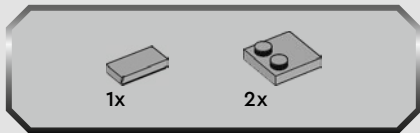
9



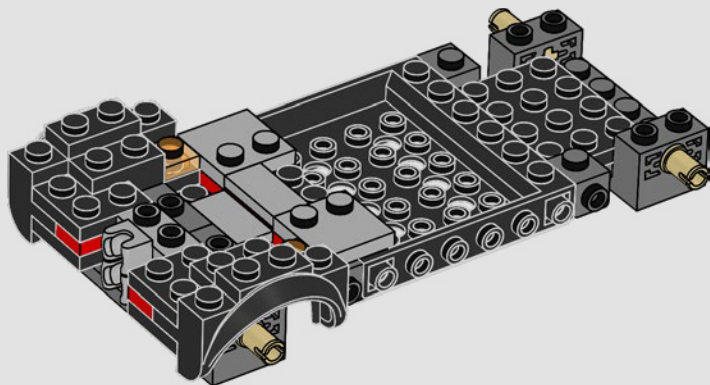


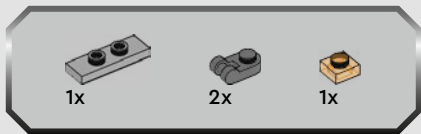
11



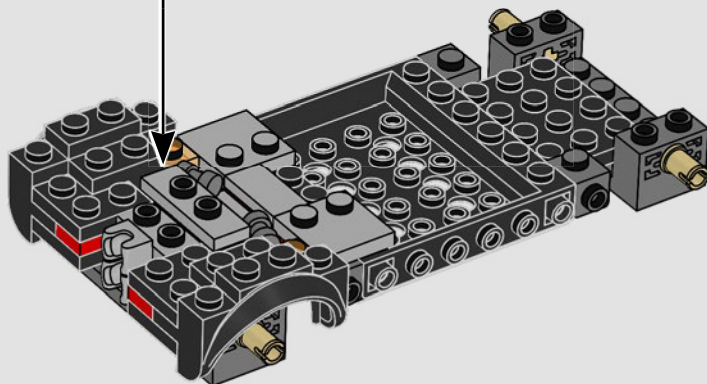
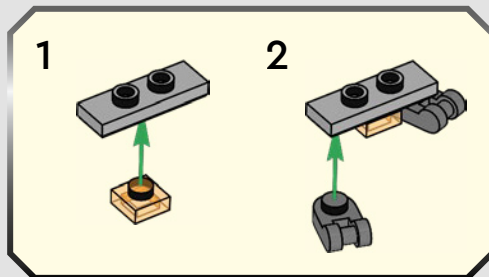


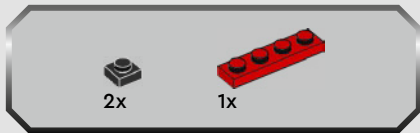
12



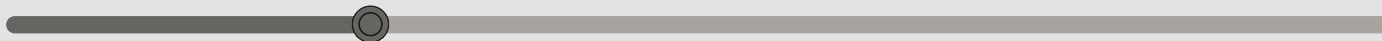
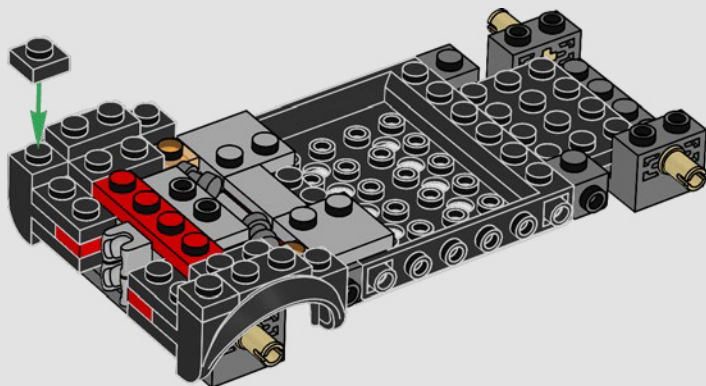


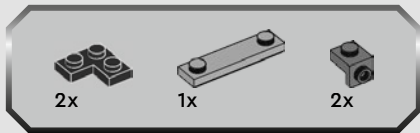
13



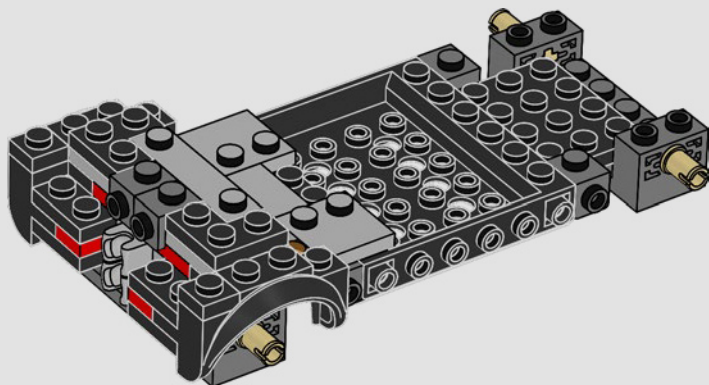


14



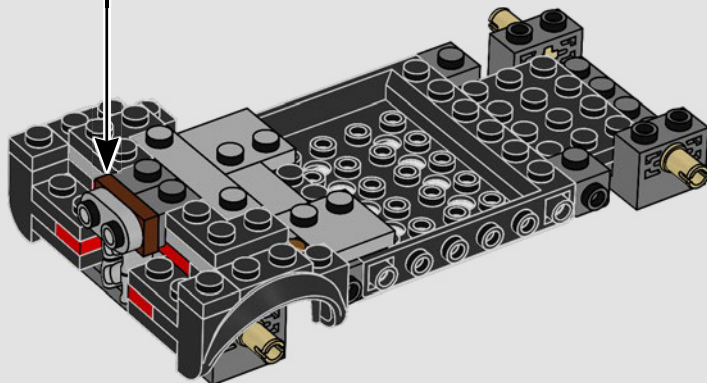
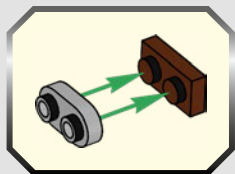


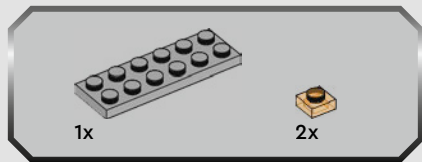
16



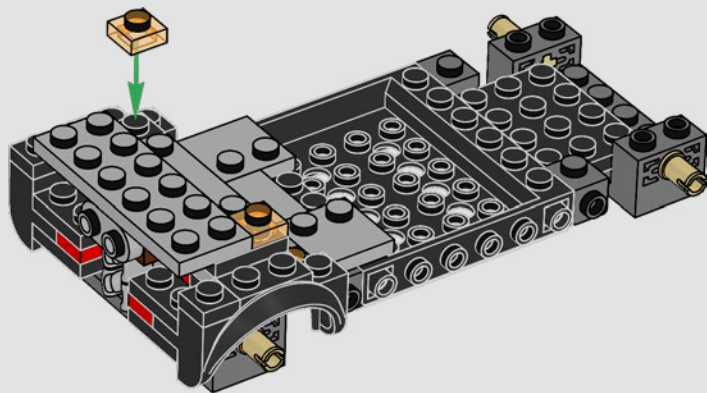


17





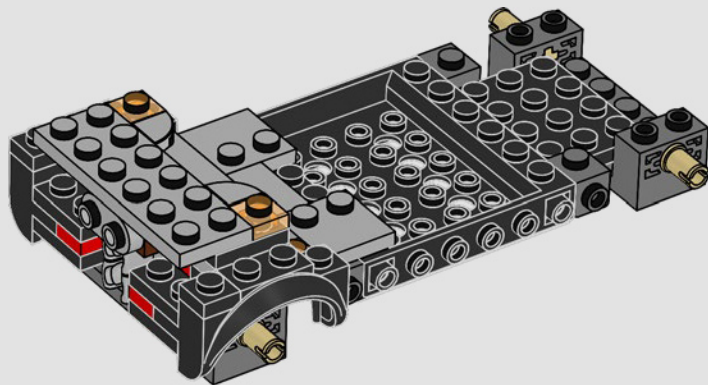
18





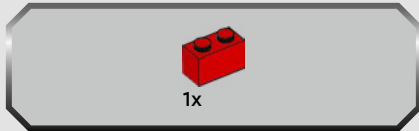
2x

19





20



21

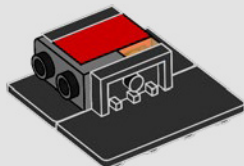


22

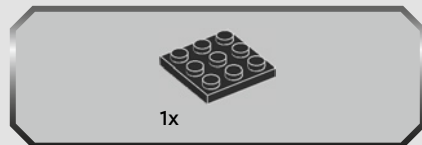
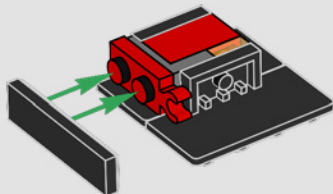




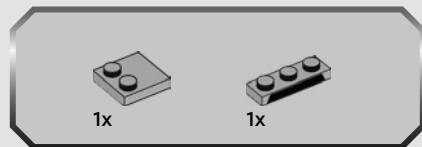
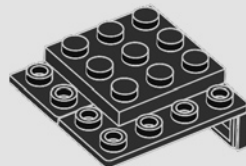
23



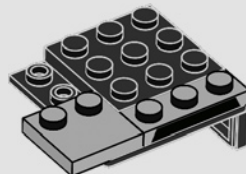
24

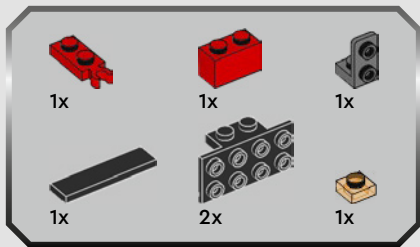


25



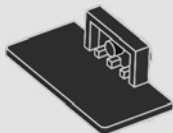
26



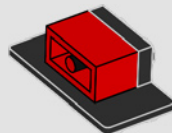


27

1



2



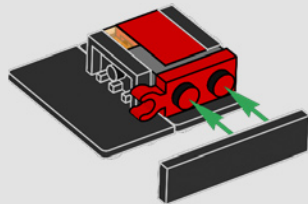
3



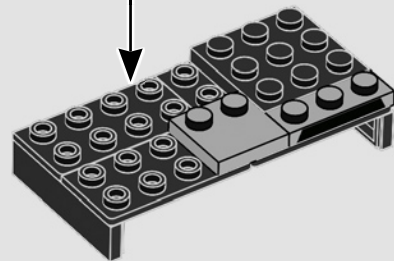
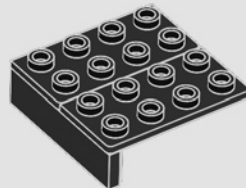
4

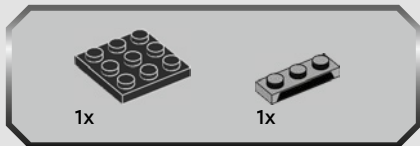


5

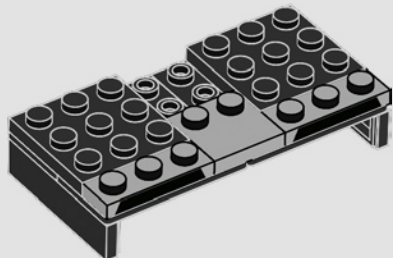


6

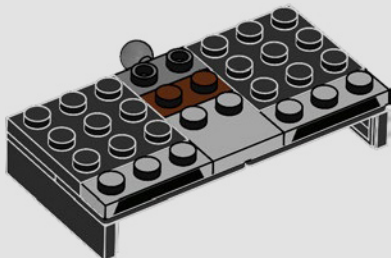


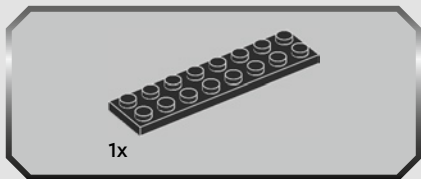


28

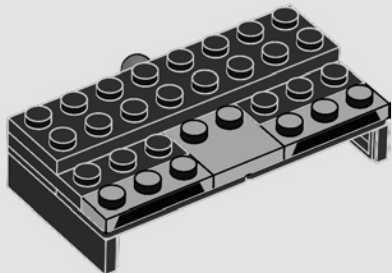


29

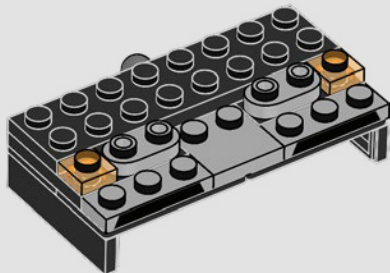




30

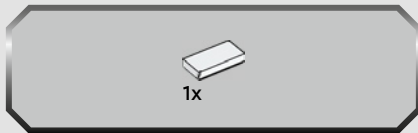
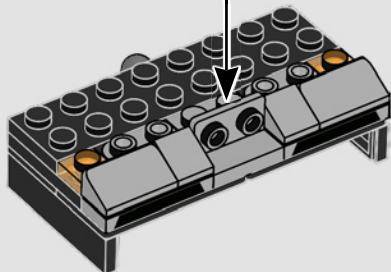
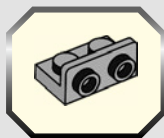


31

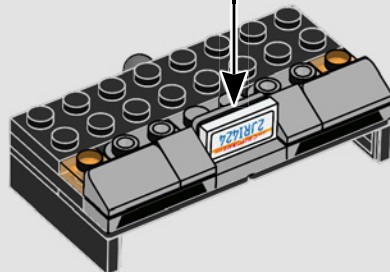
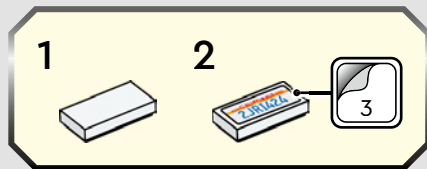




32



33

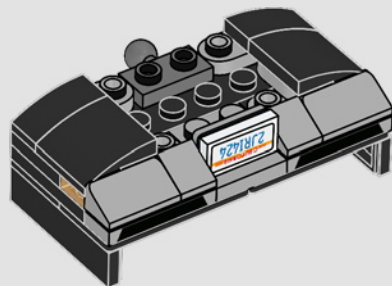


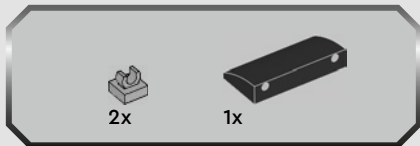


34

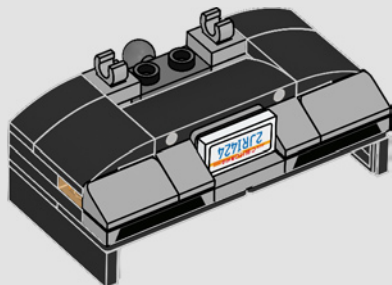


35

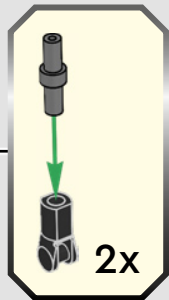
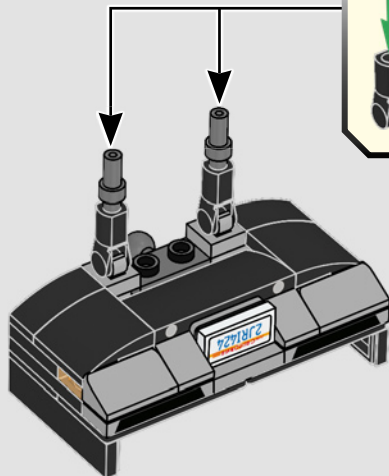




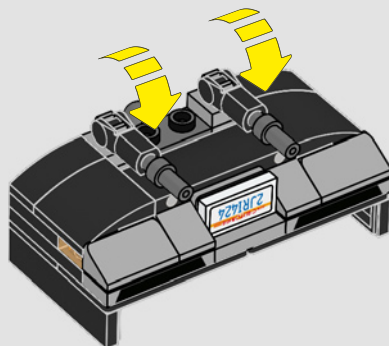
36



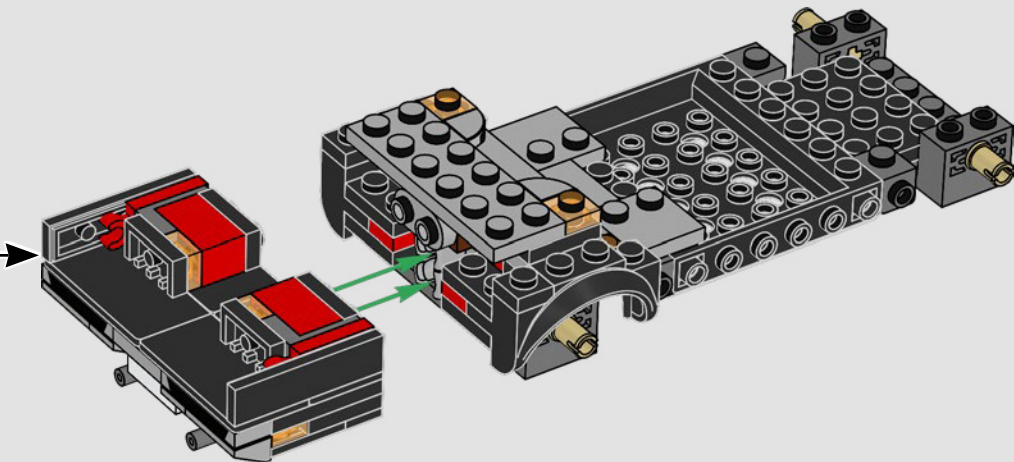
37

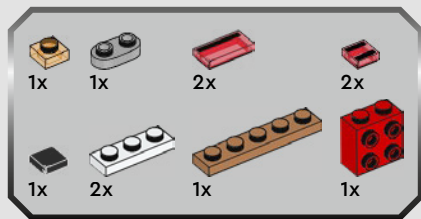


38



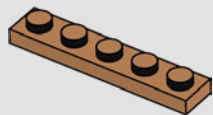
39



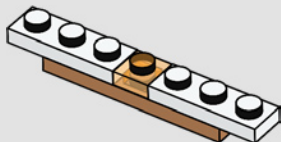


40

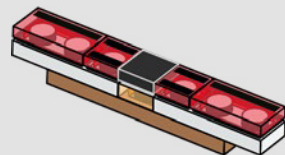
1



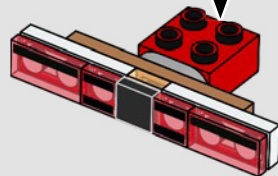
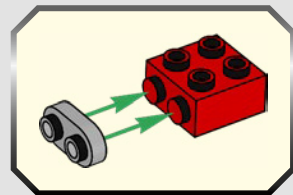
2

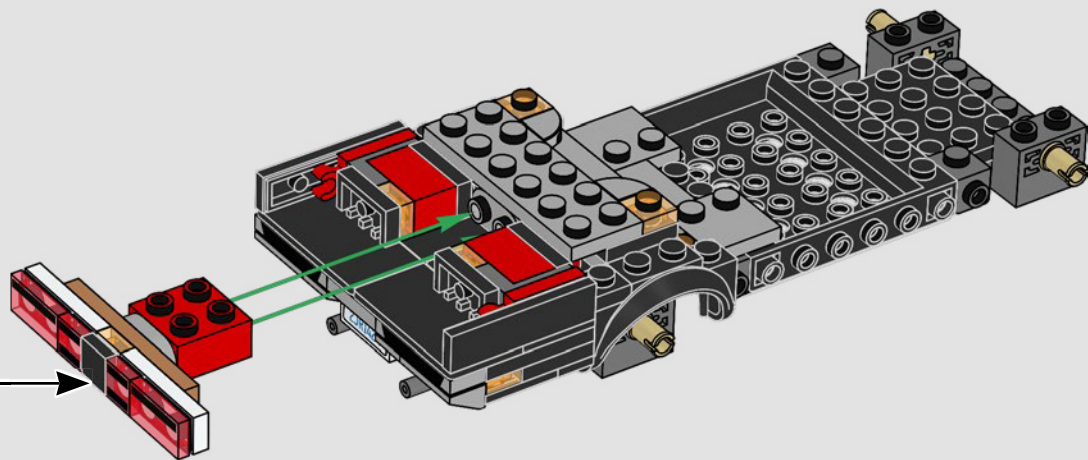


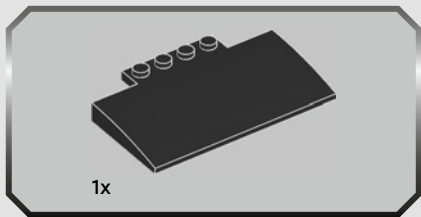
3



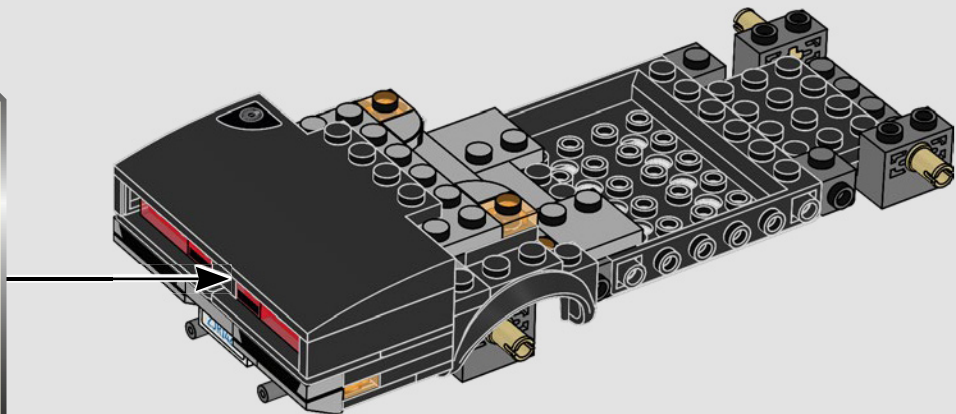
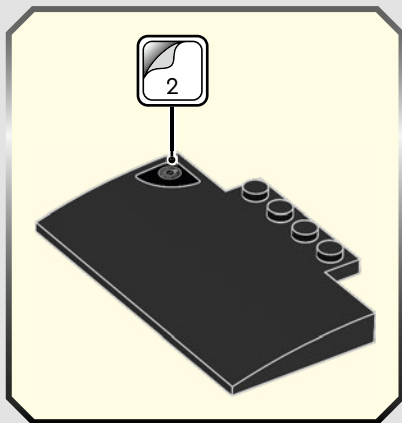
4







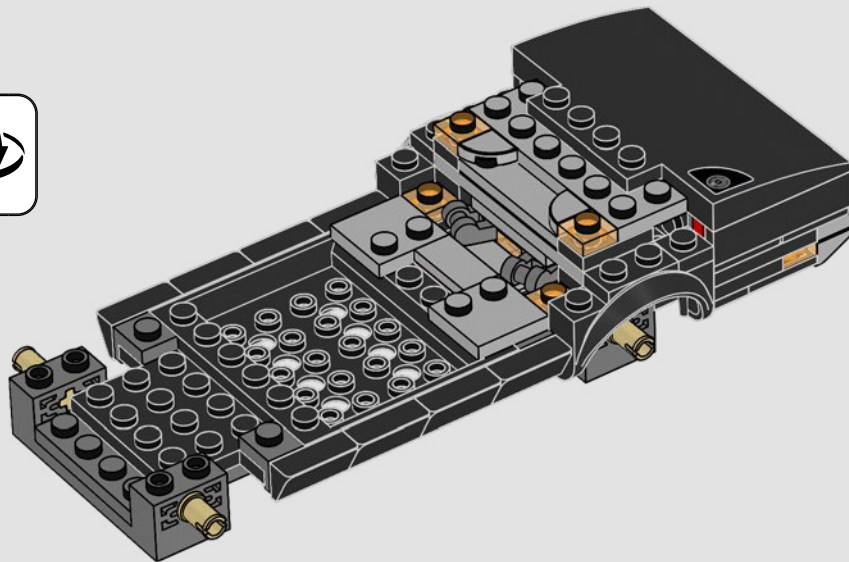
41

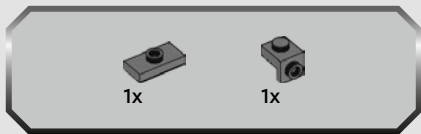




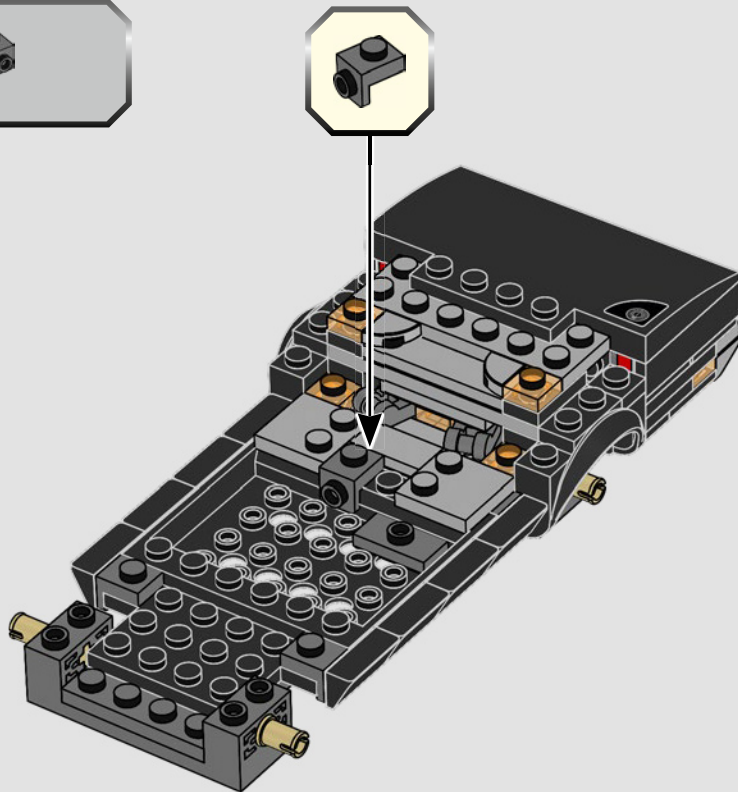
8x

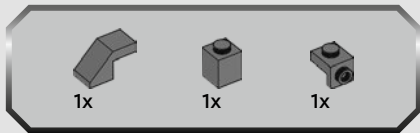
42



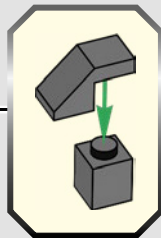
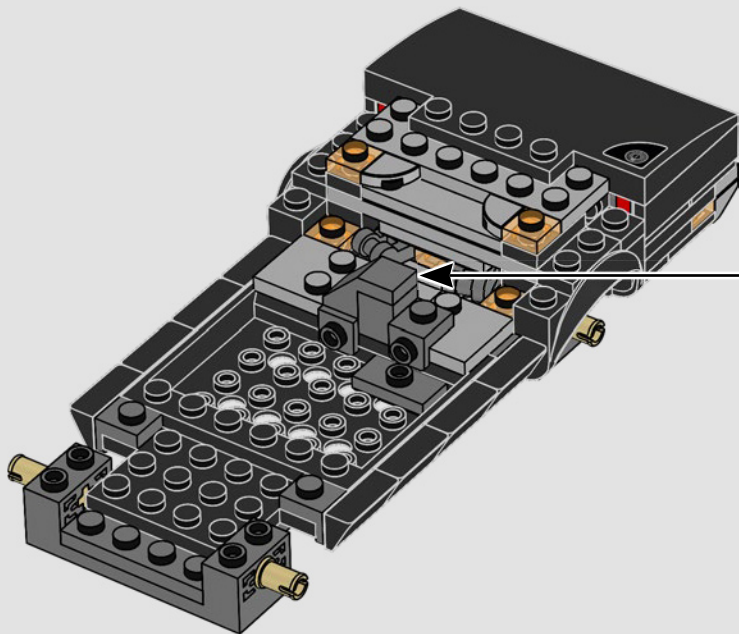


43



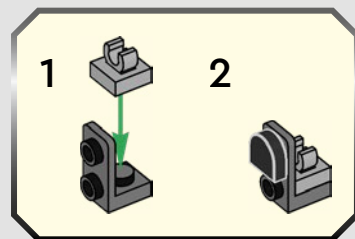
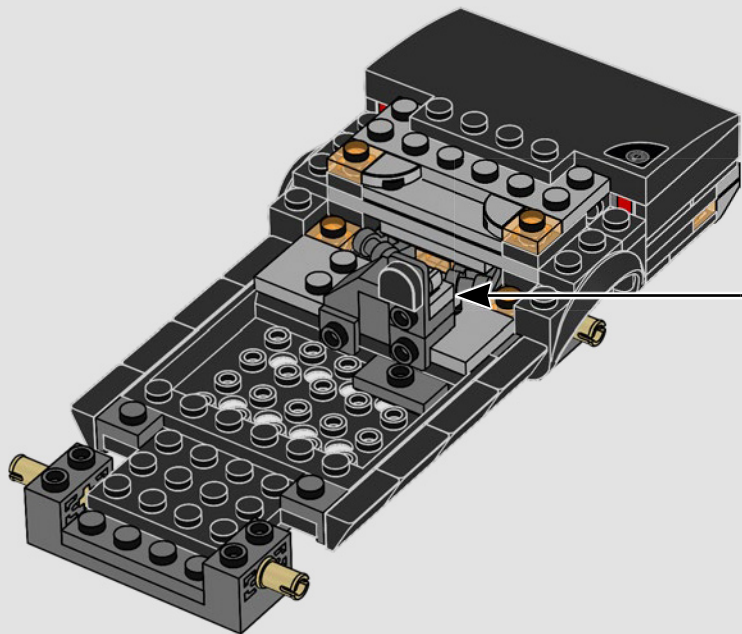


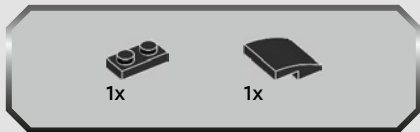
44



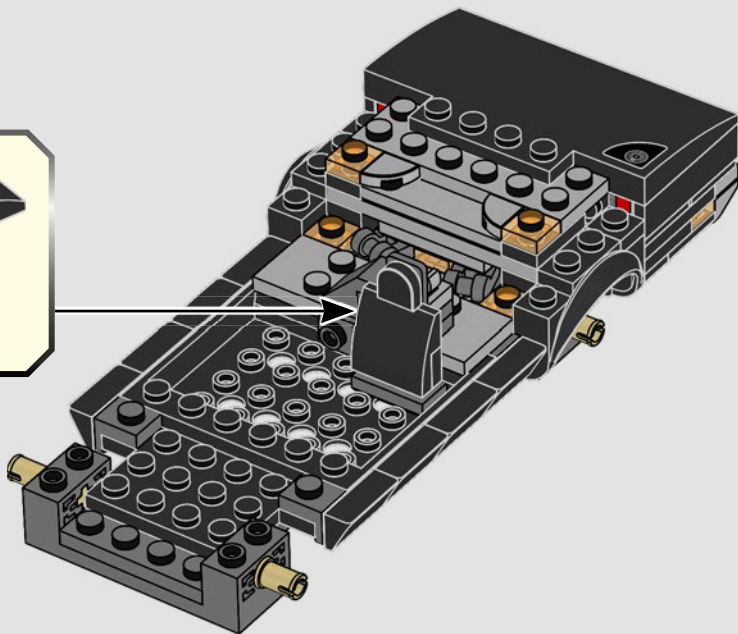
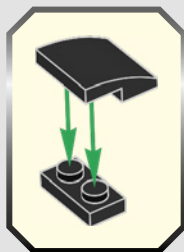


45



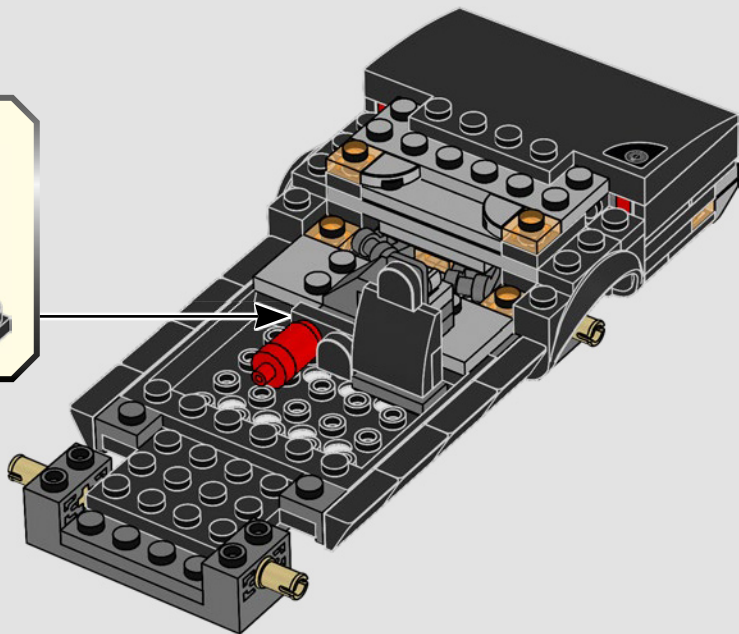
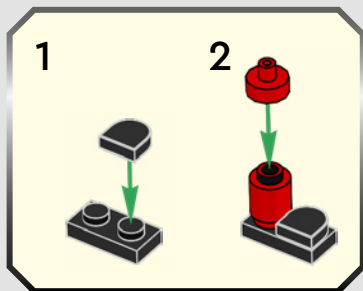


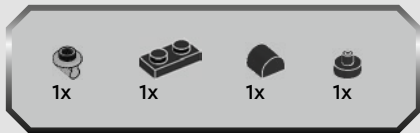
46



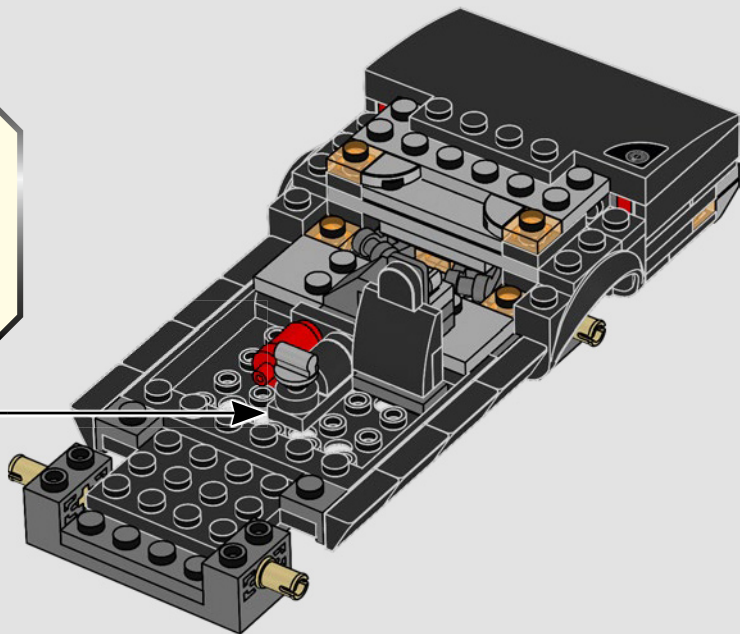
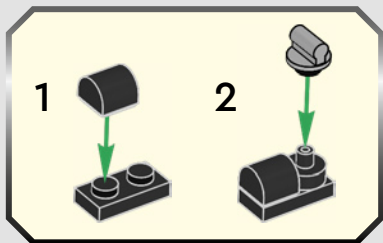


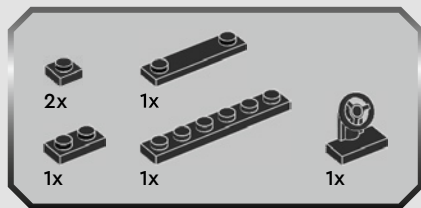
47





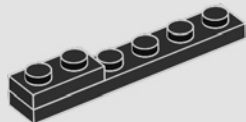
48



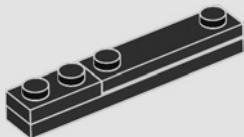


49

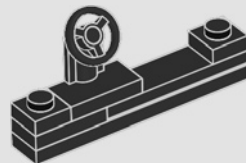
1

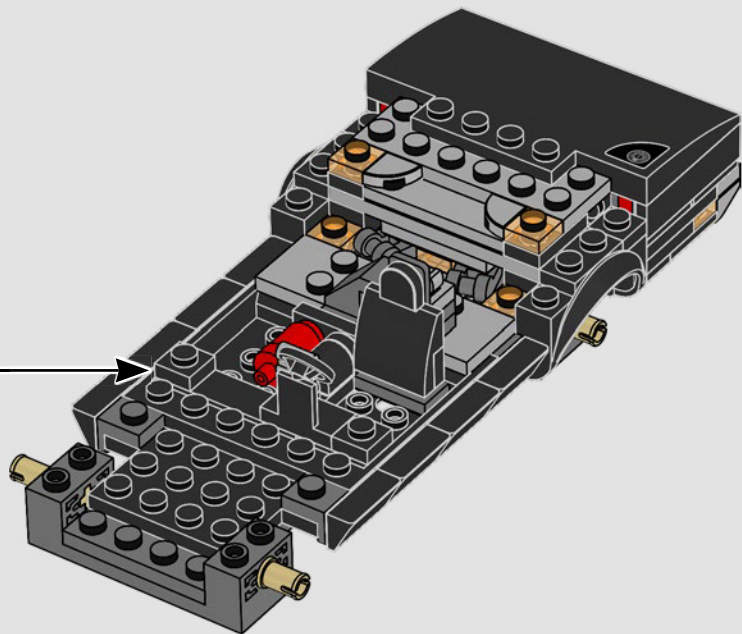


2



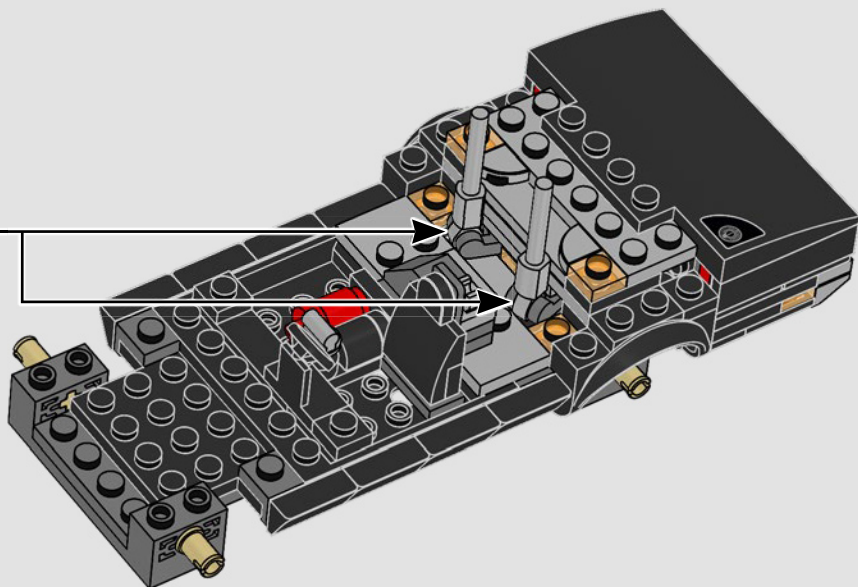
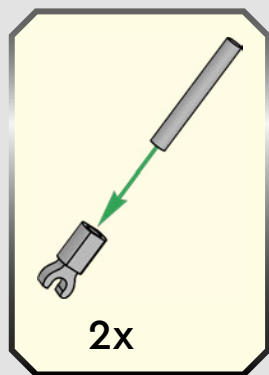
3







50



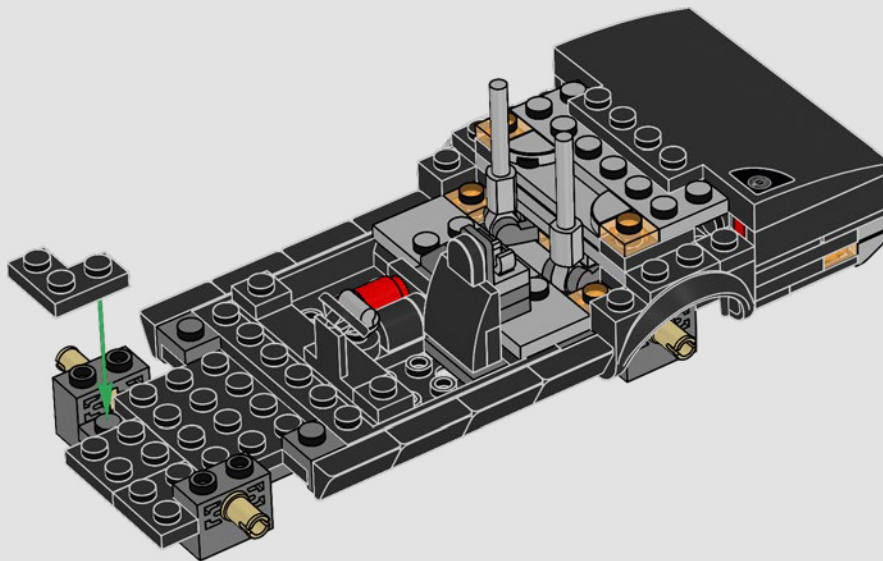


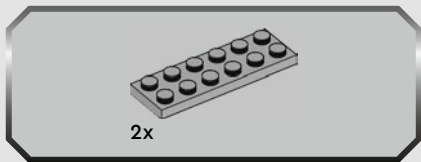
2x



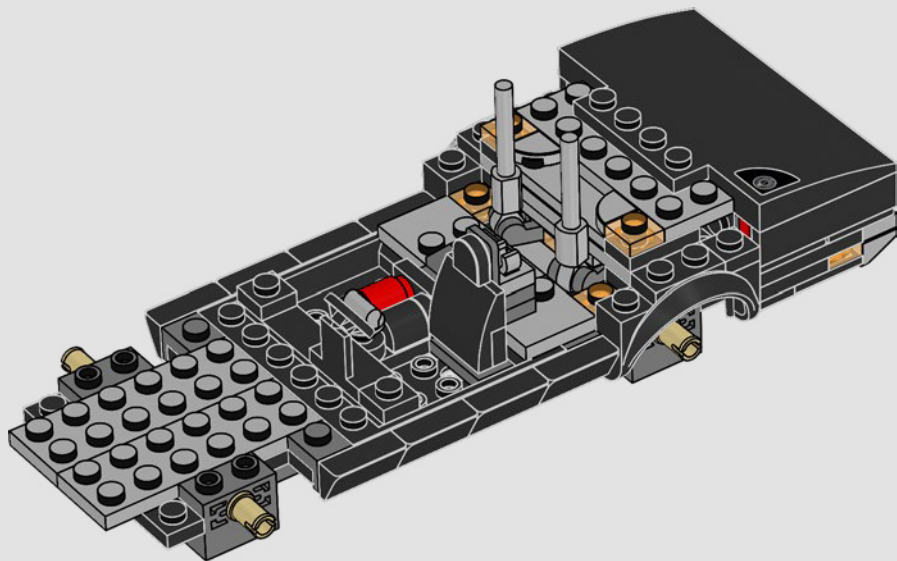
1x

51





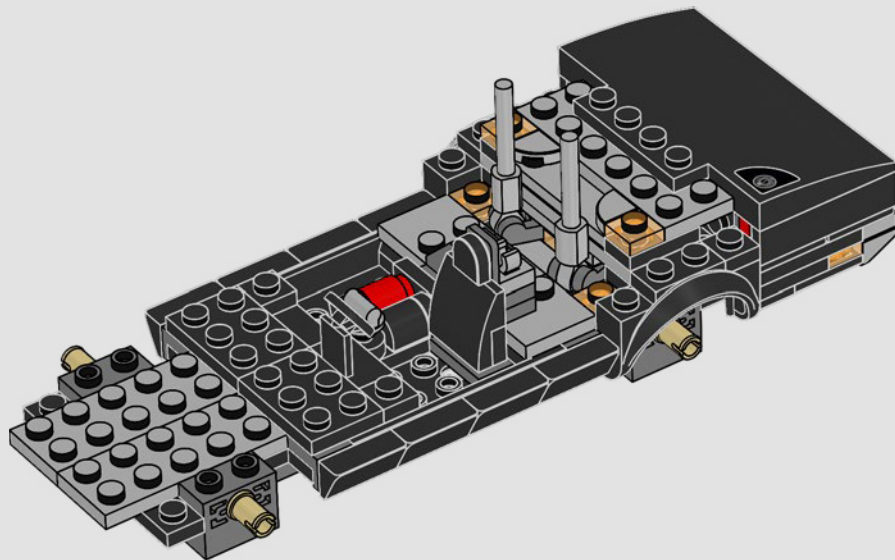
52





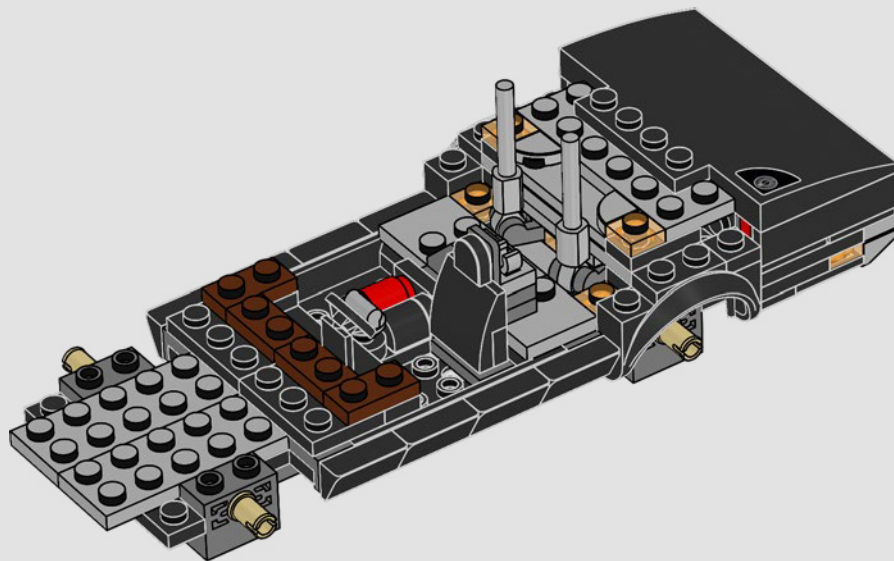
2x

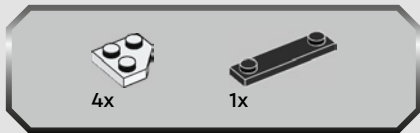
53



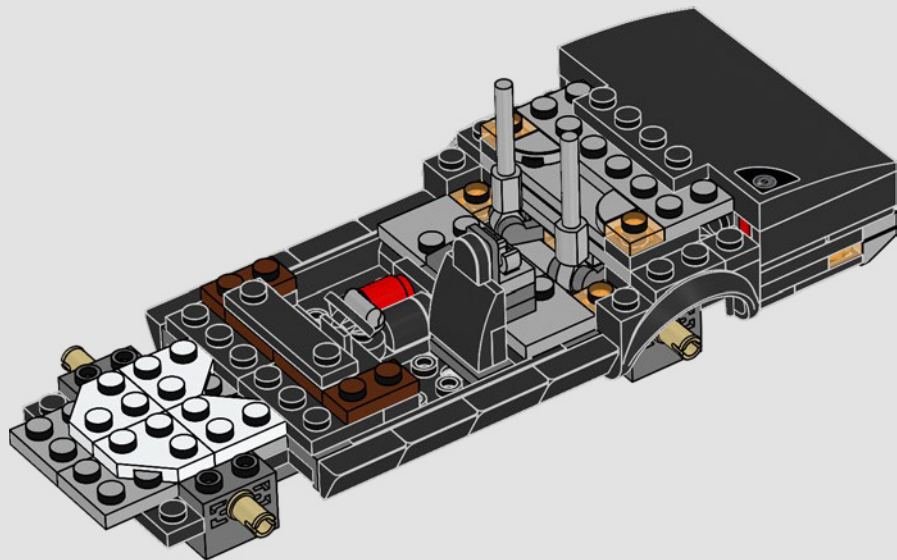


54

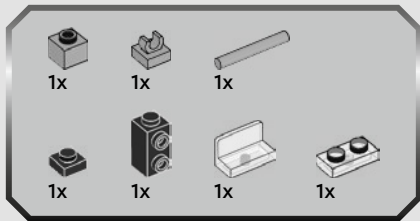




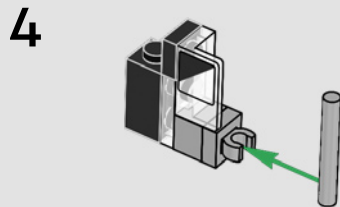
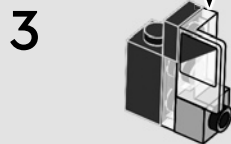
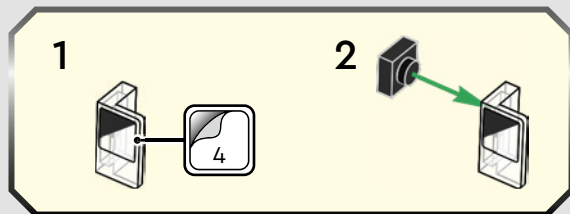
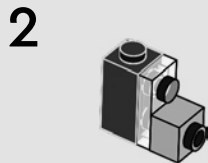
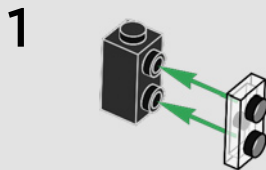
55

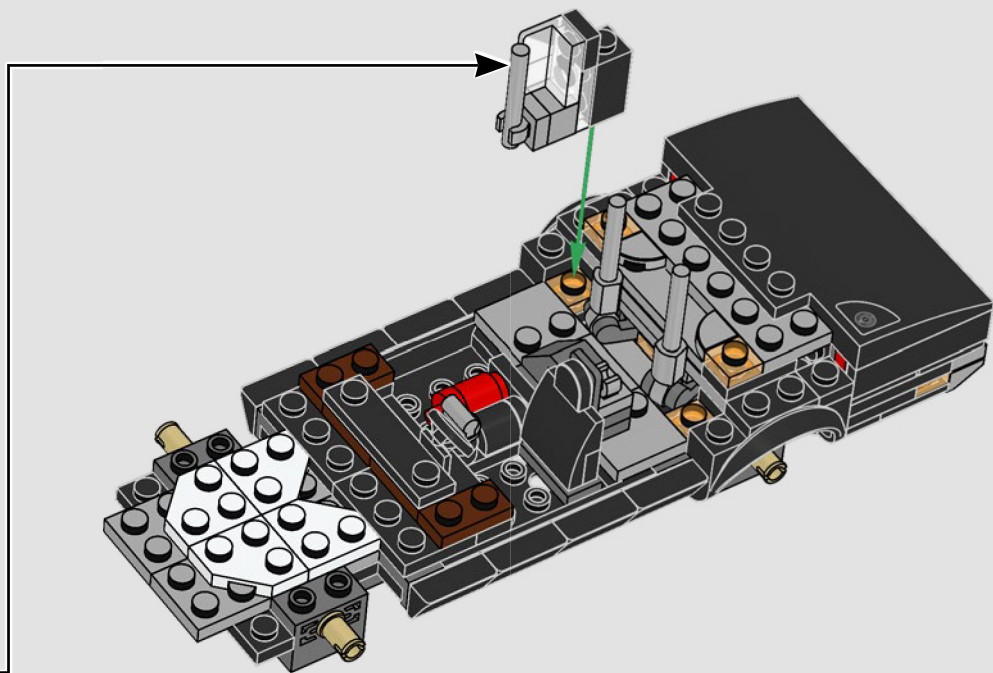


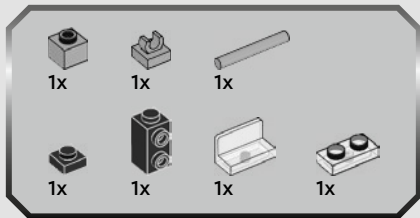




56

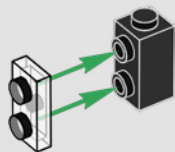




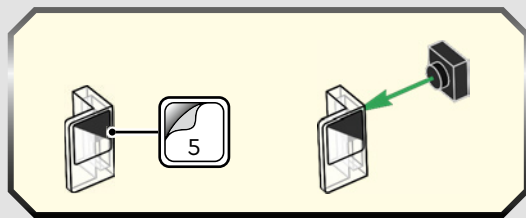


57

1



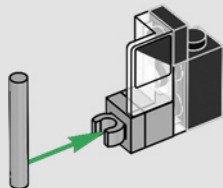
2

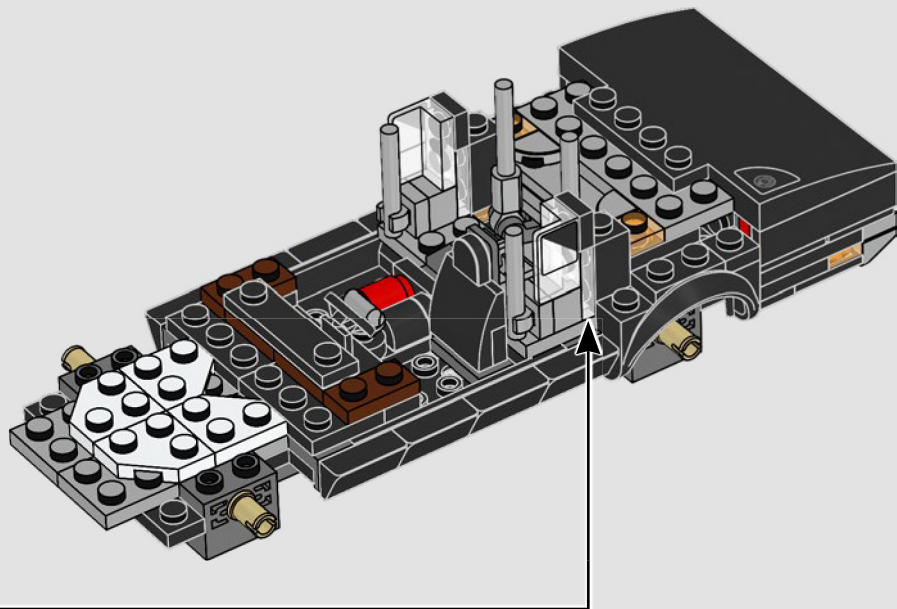


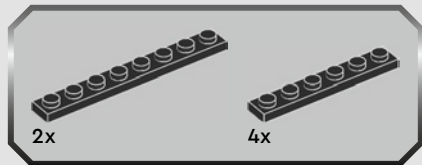
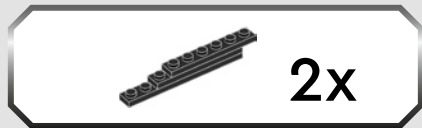
3



4

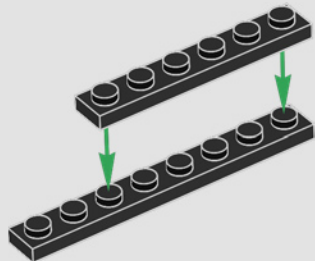




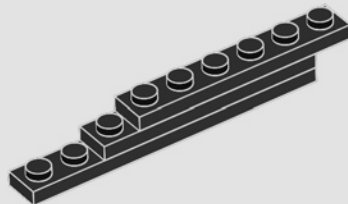


58

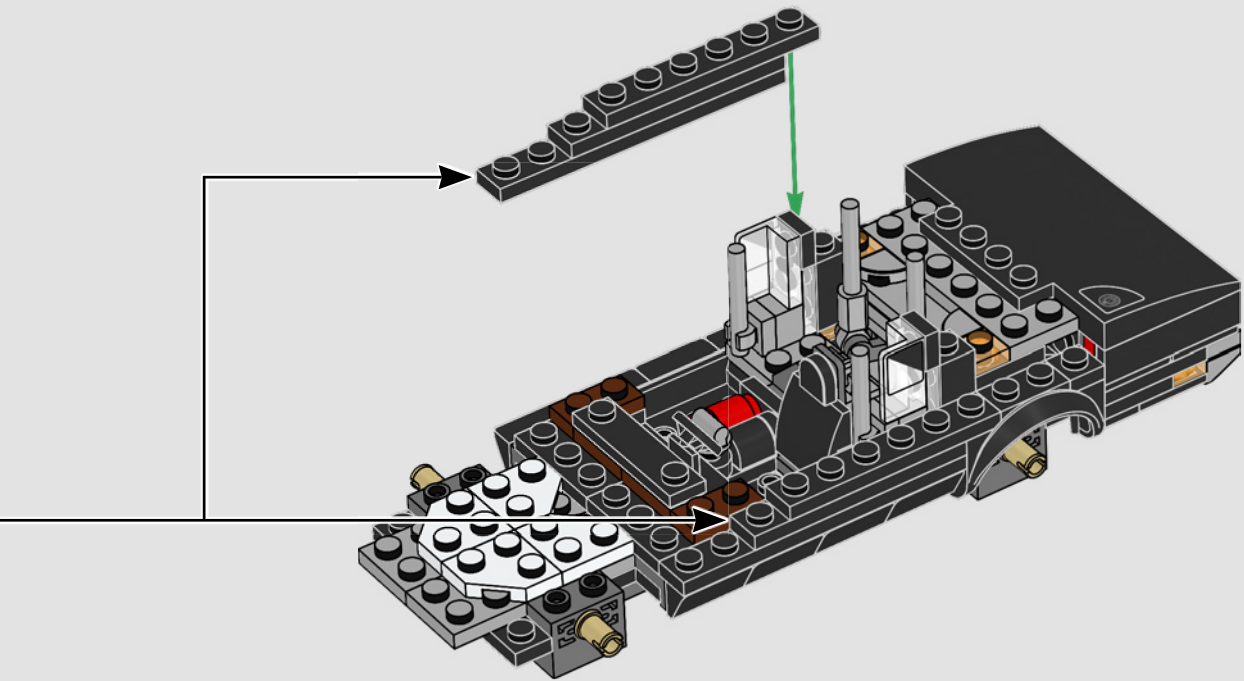
1



2



2x



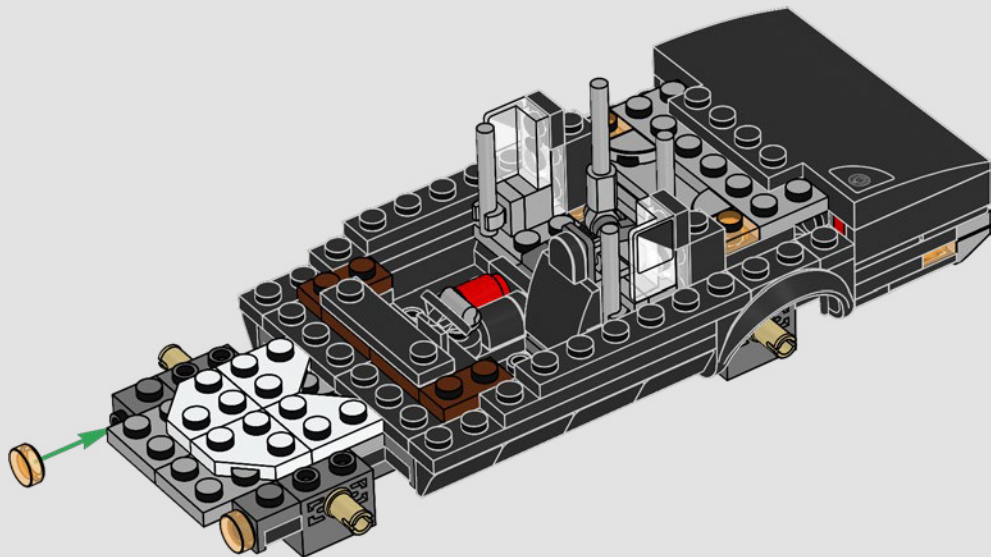


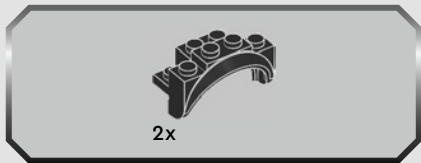
2x



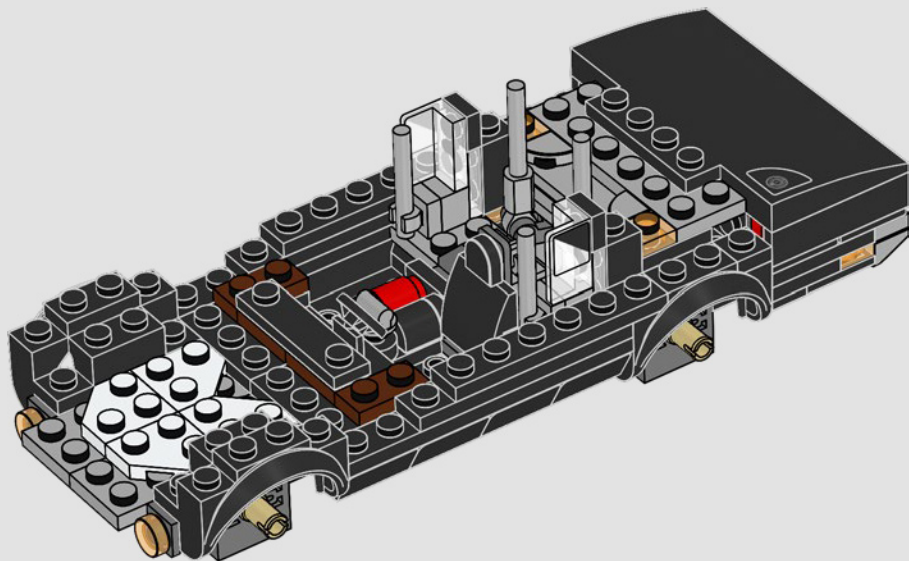
2x

59



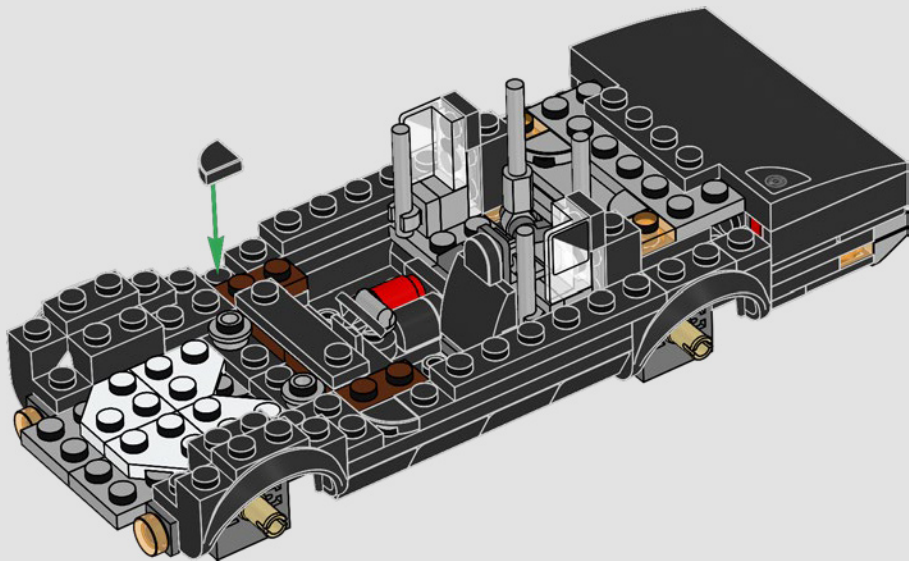


60



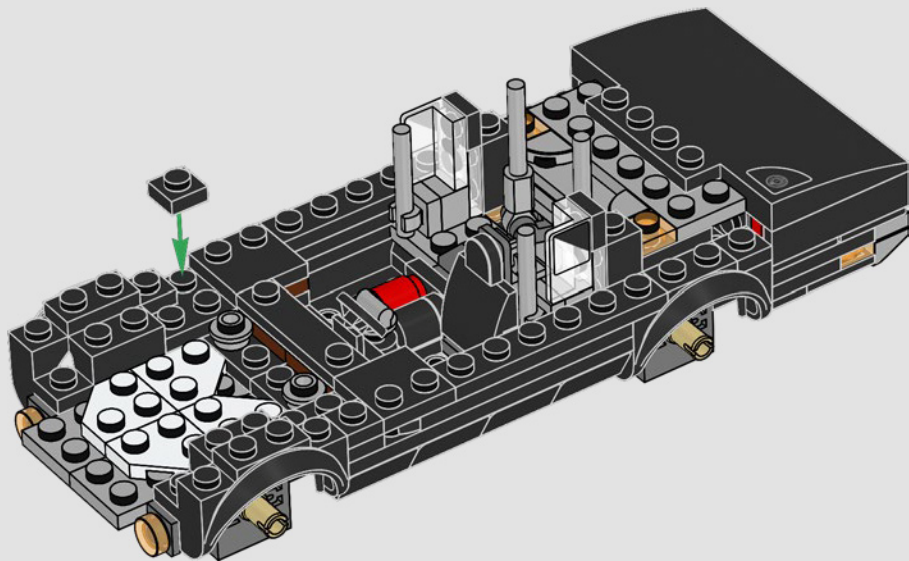


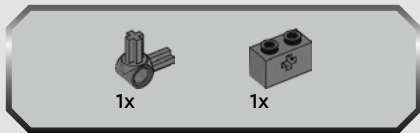
61



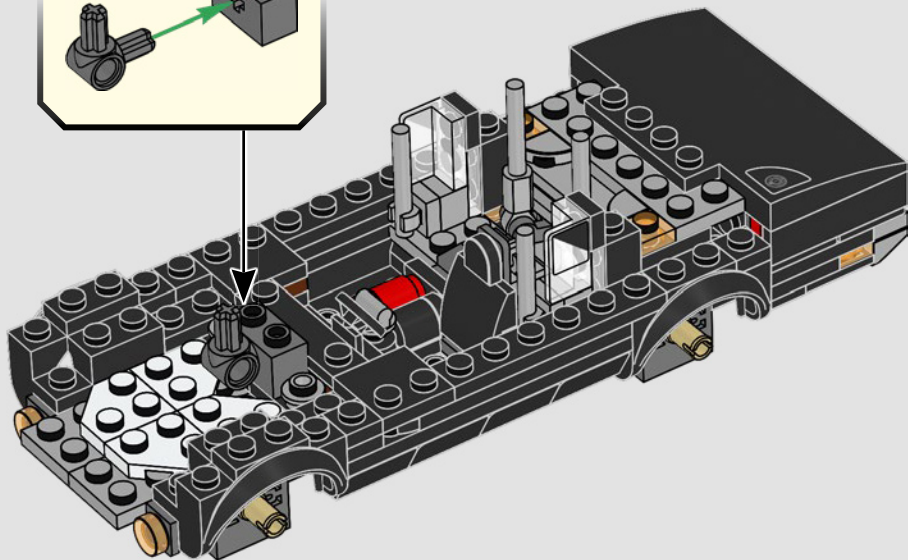
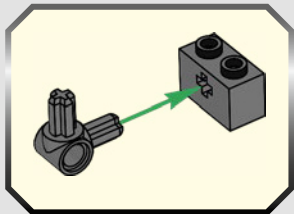


62





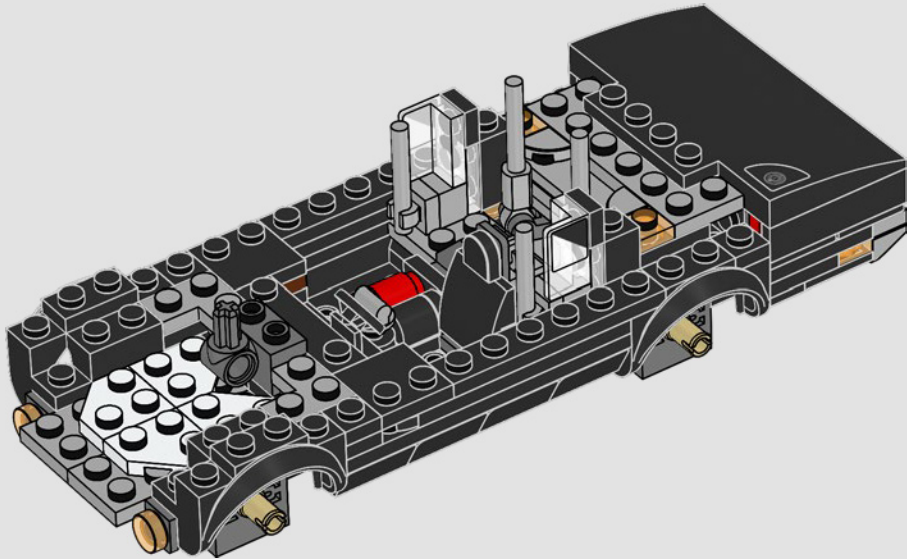
63





2x

64



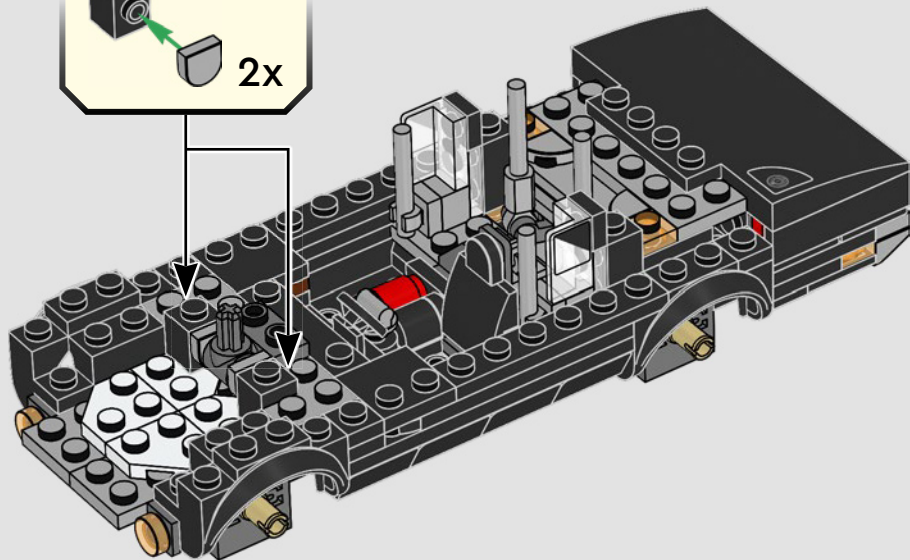
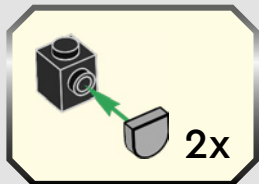


2x



2x

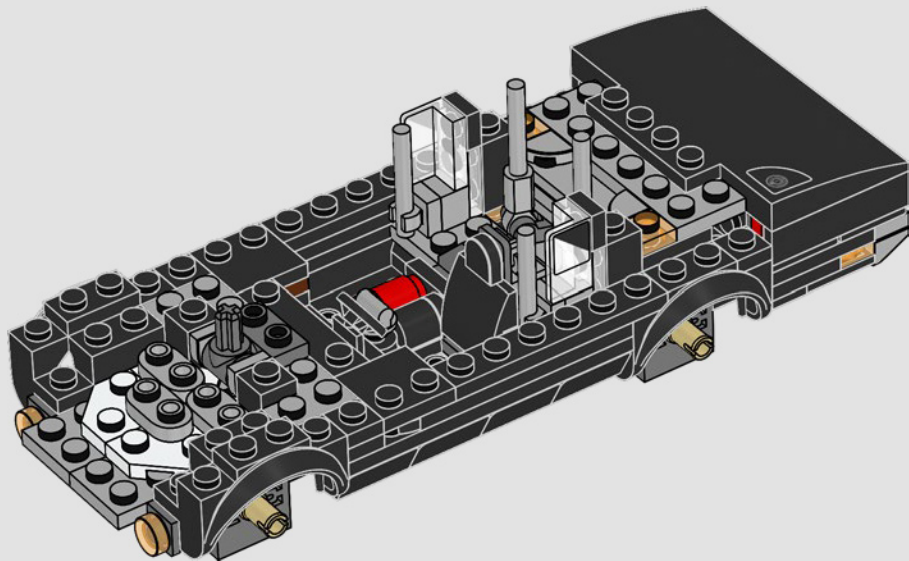
65





3x

66



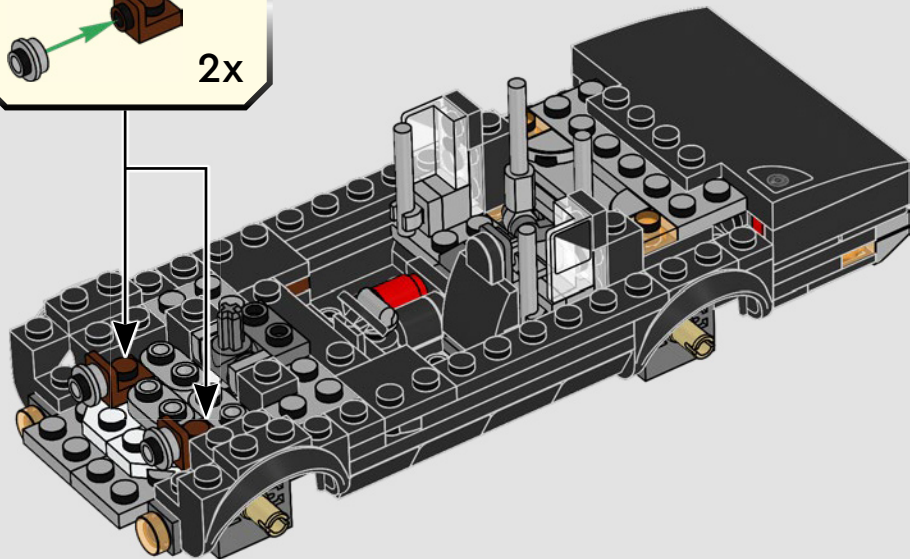
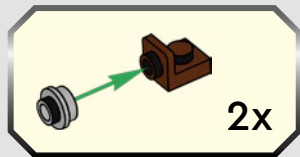


2x



2x

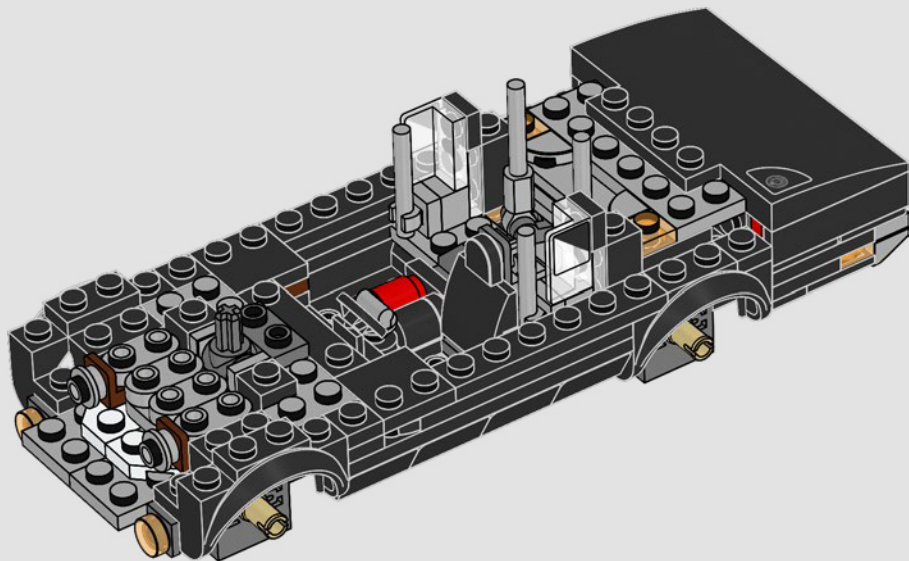
67





4x

68



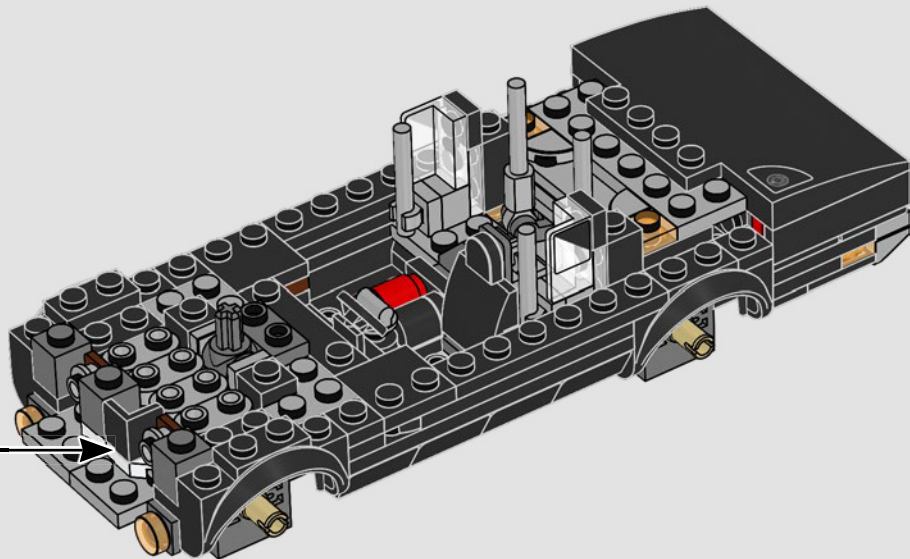


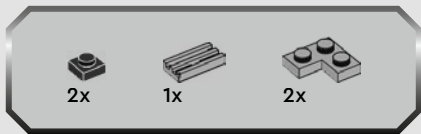
1x



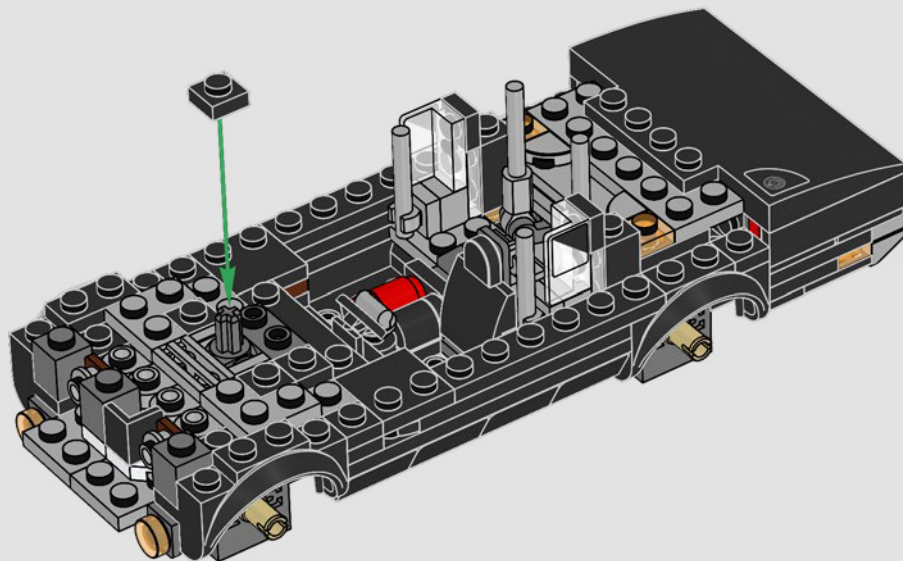
3x

69





70



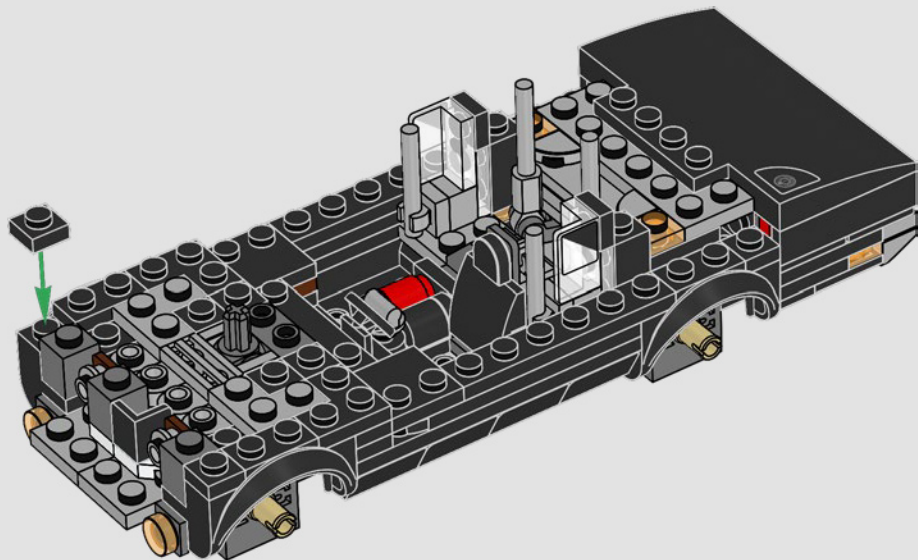


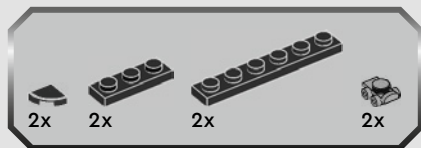
2x



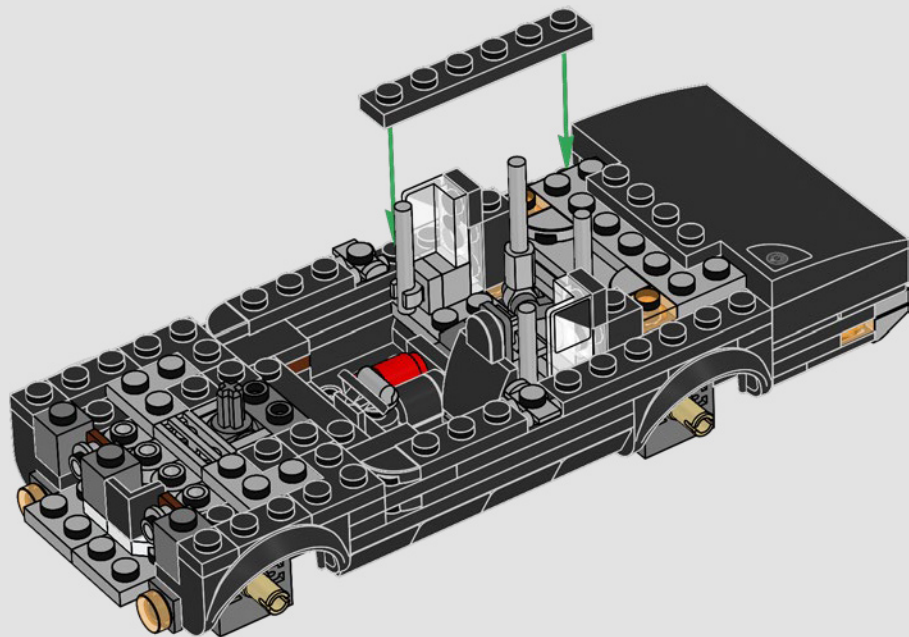
2x

71





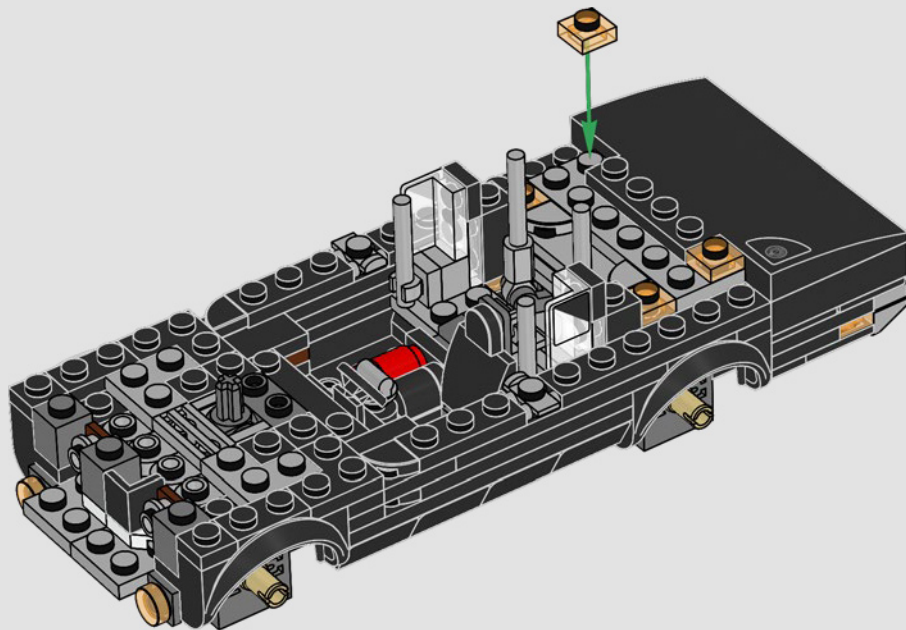
72



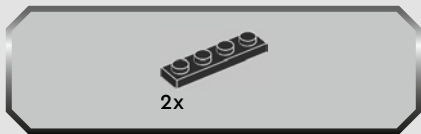


2x

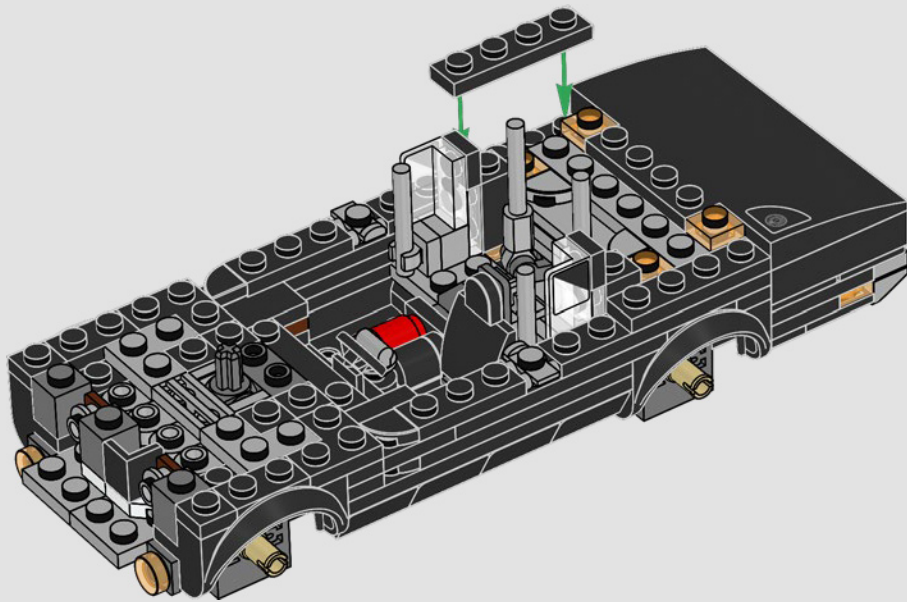
73



74

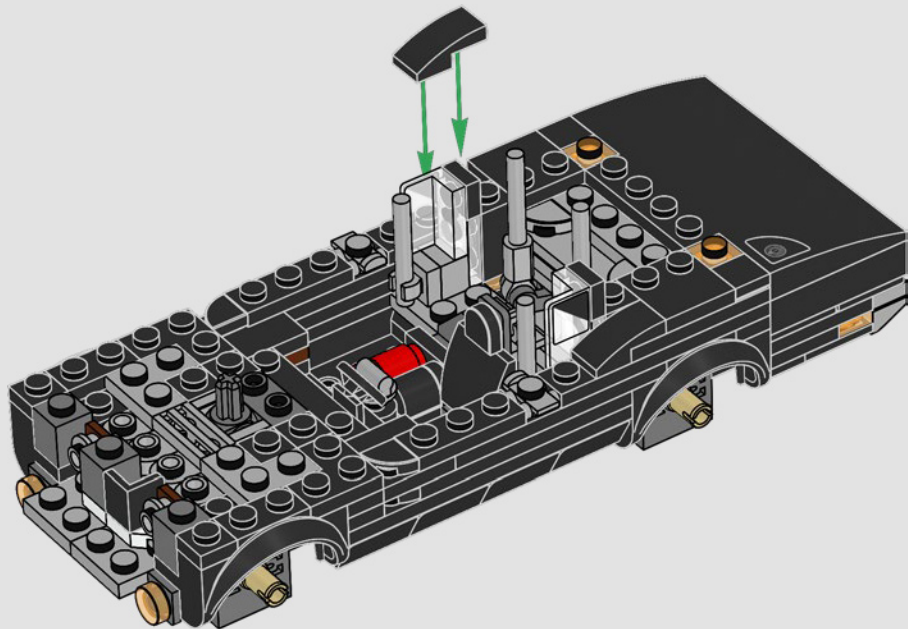


74



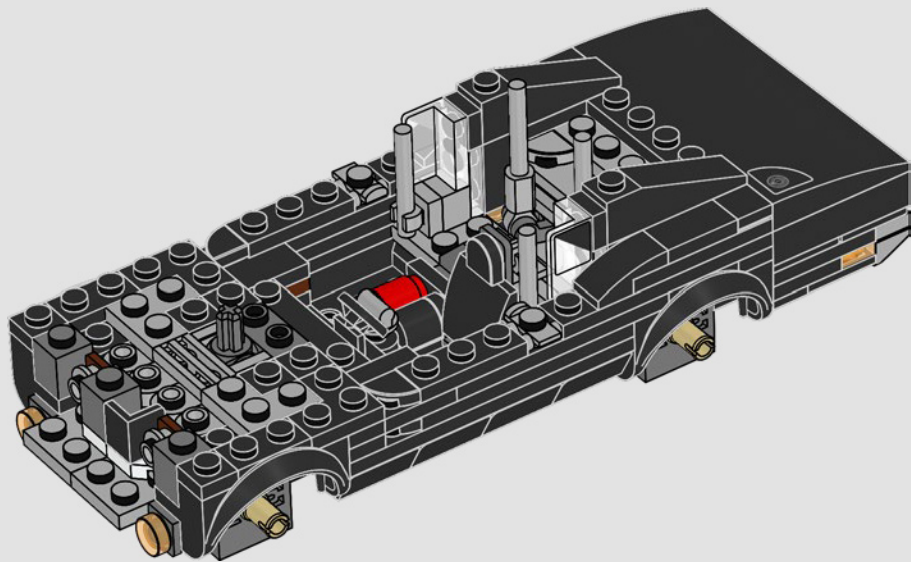


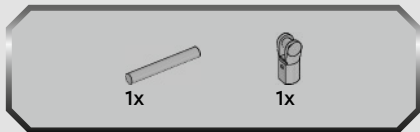
75



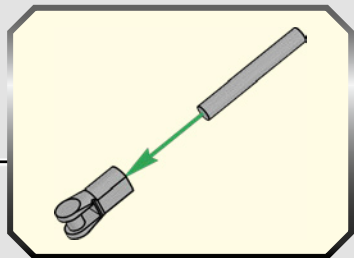
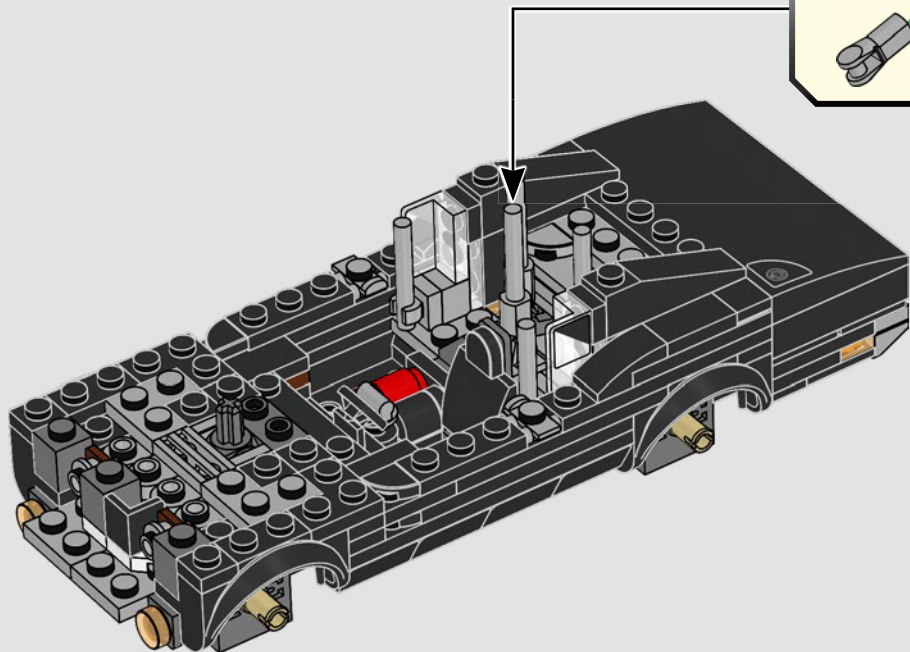


76

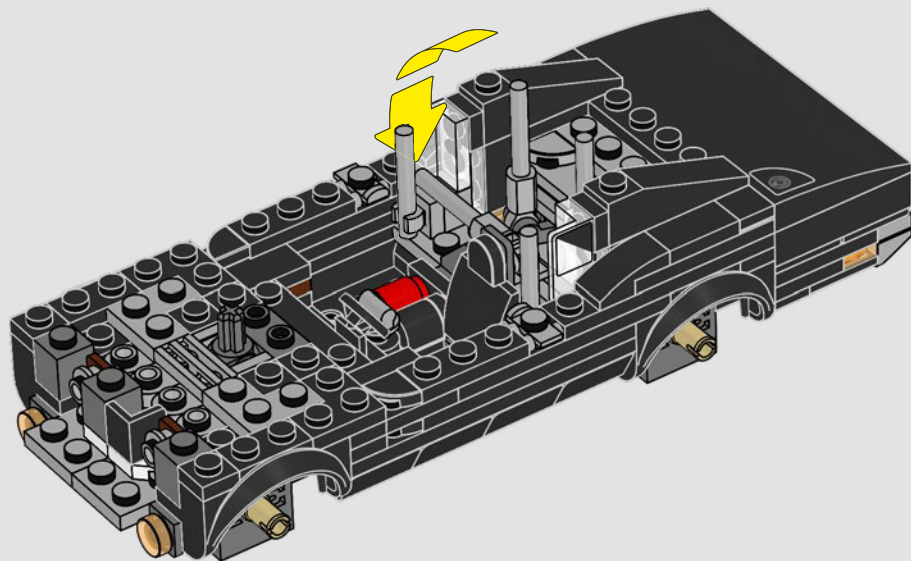




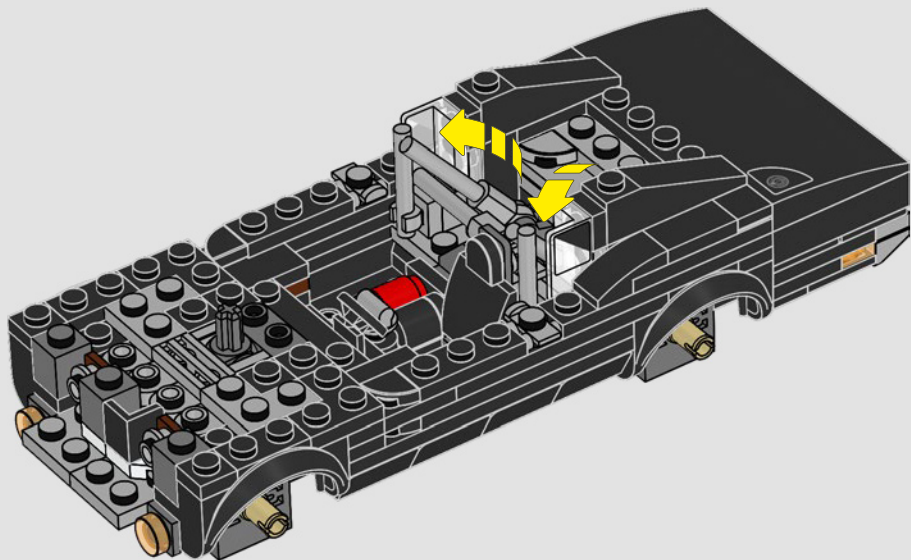
77

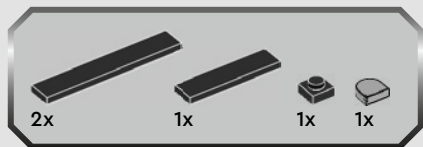


78

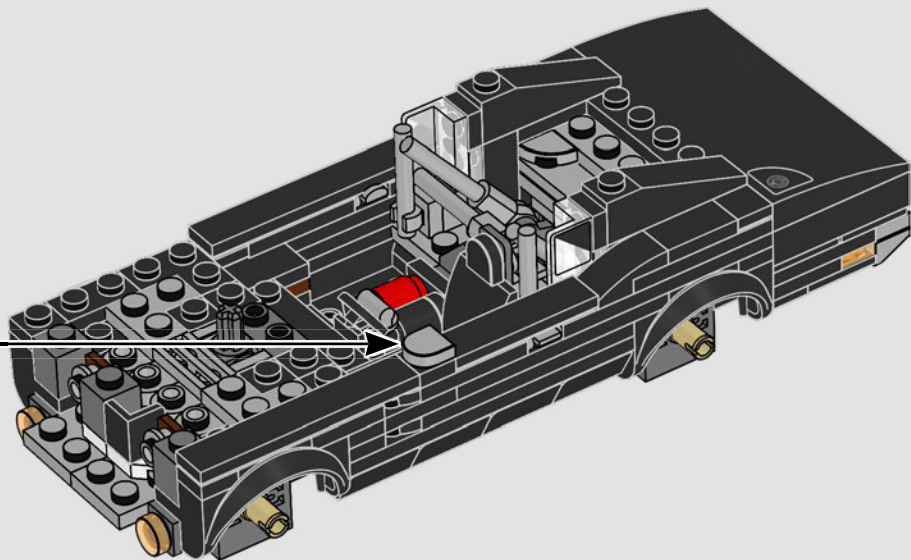
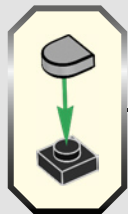


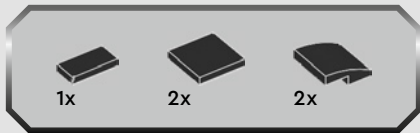
79



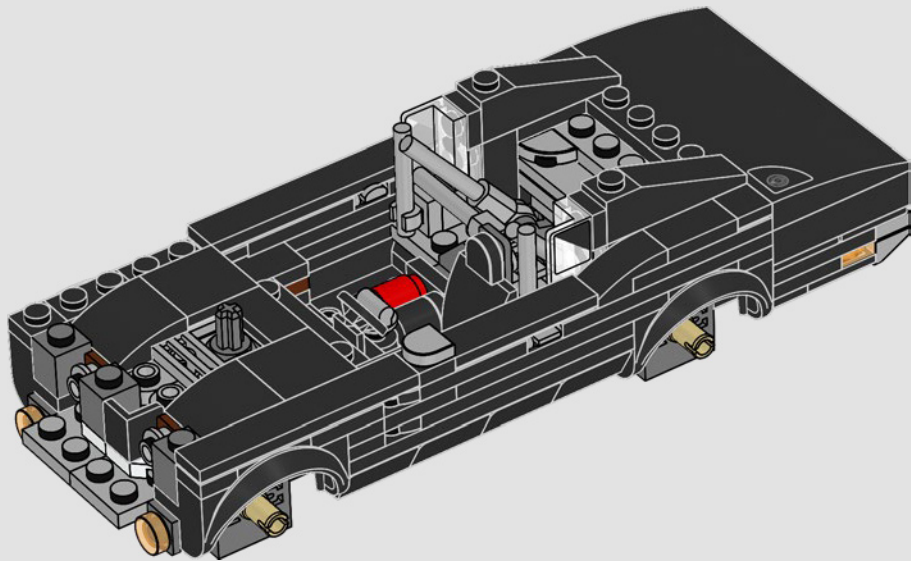


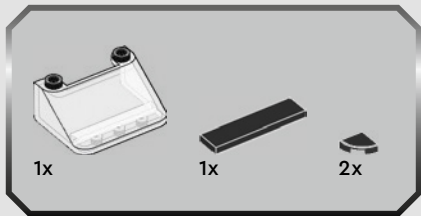
80



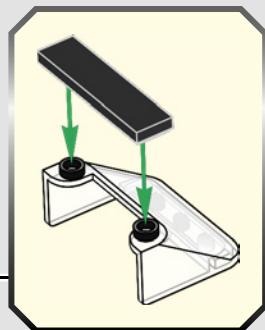
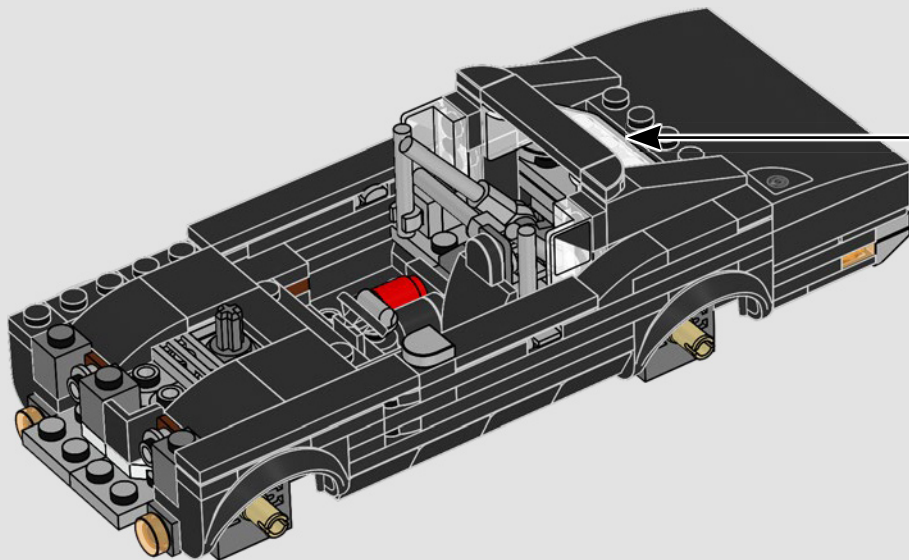


81





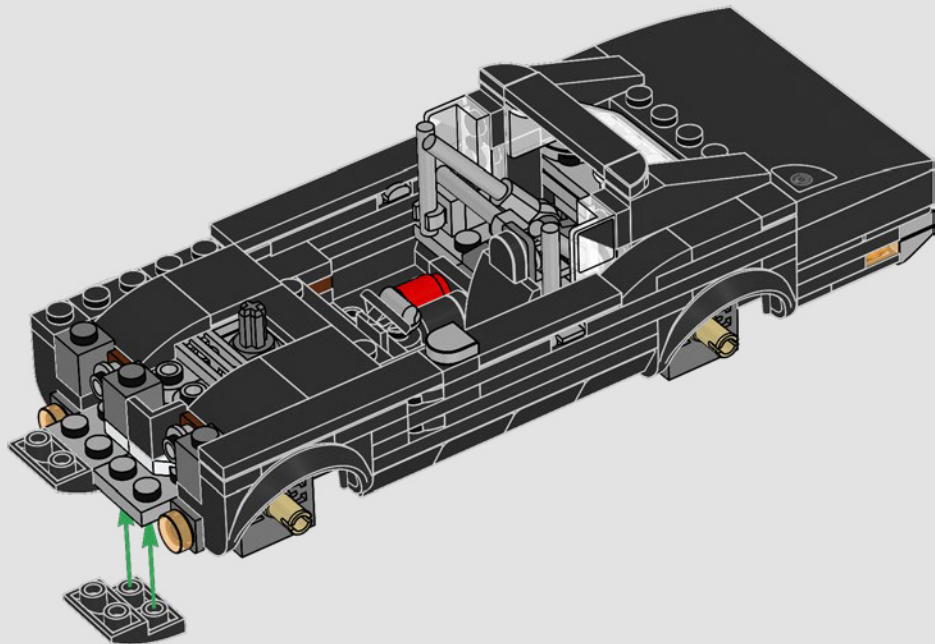
82





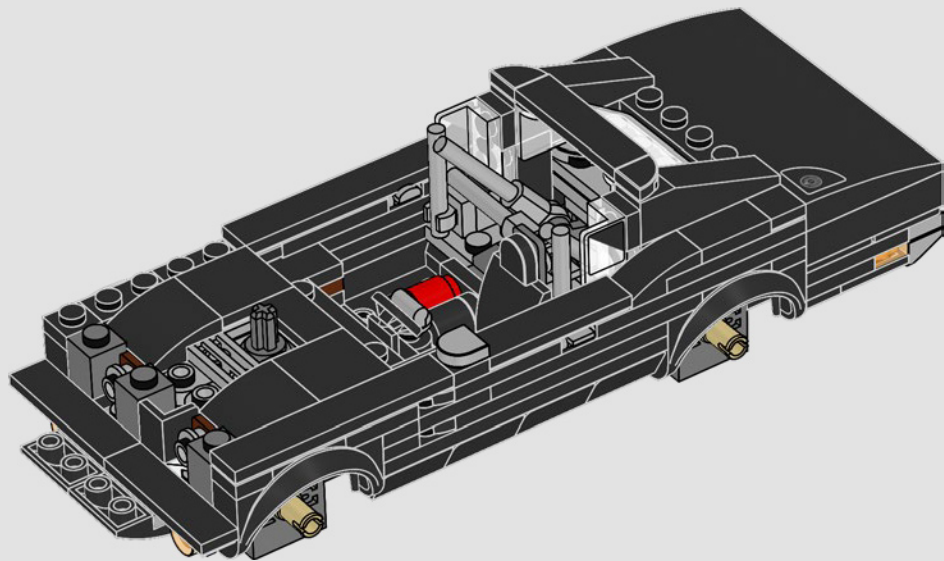
2x

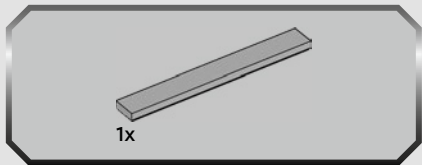
83



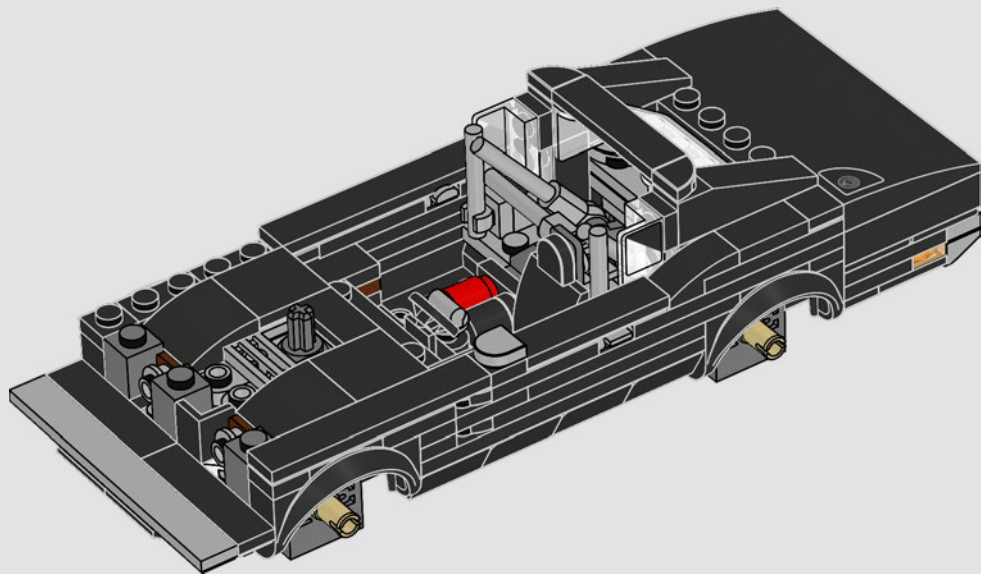


84





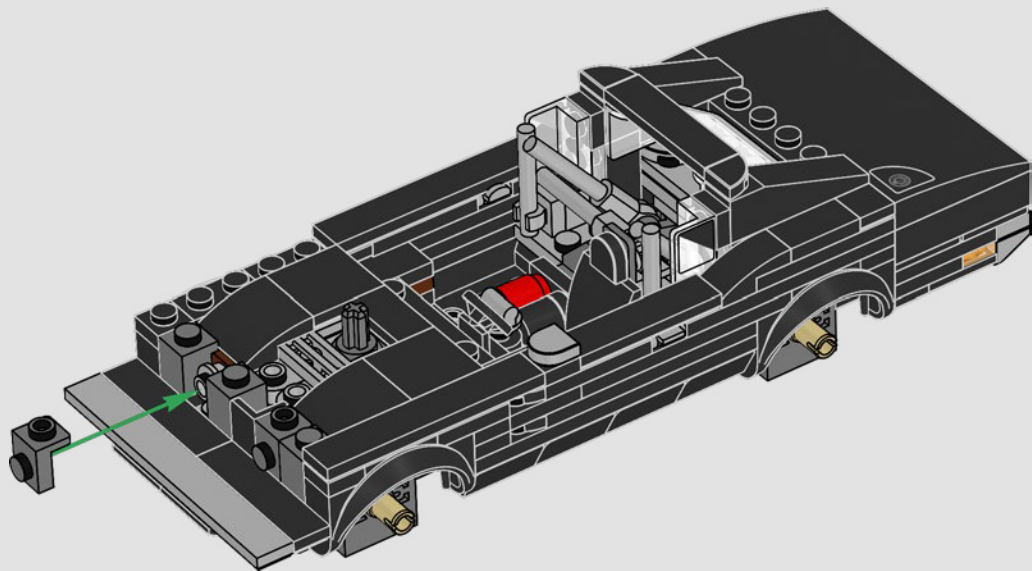
85

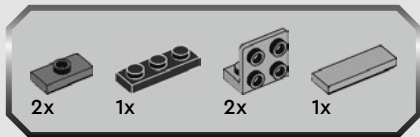




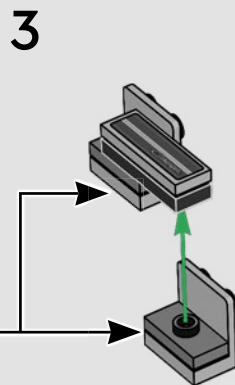
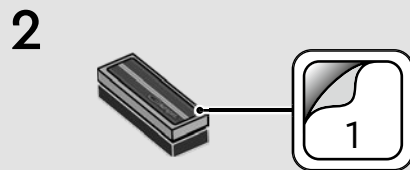
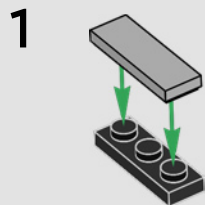
2x

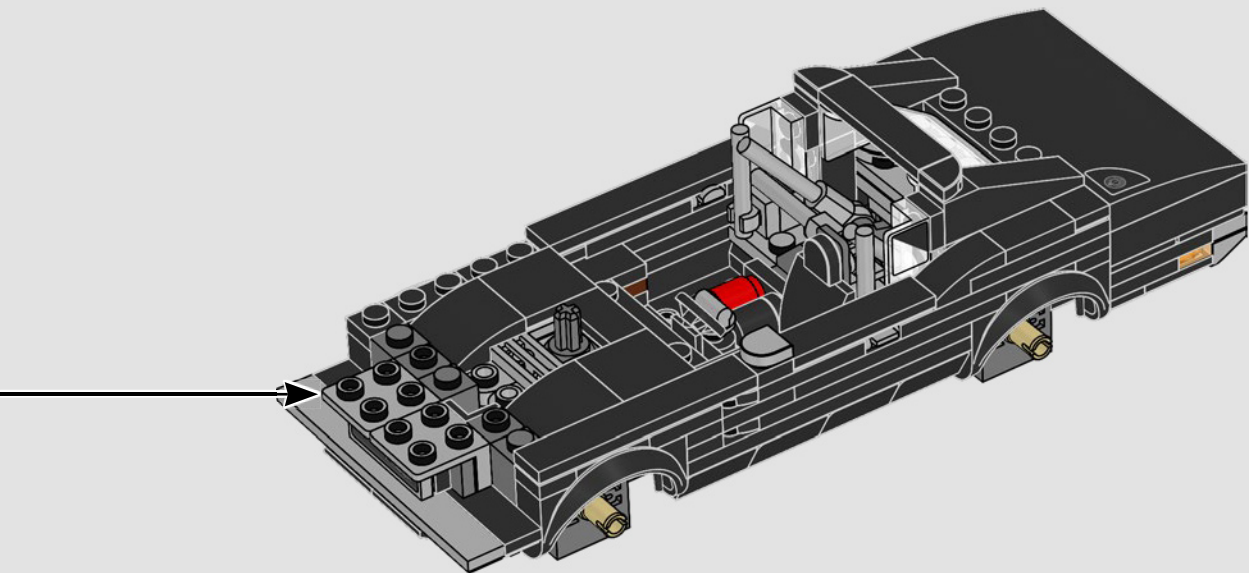
86





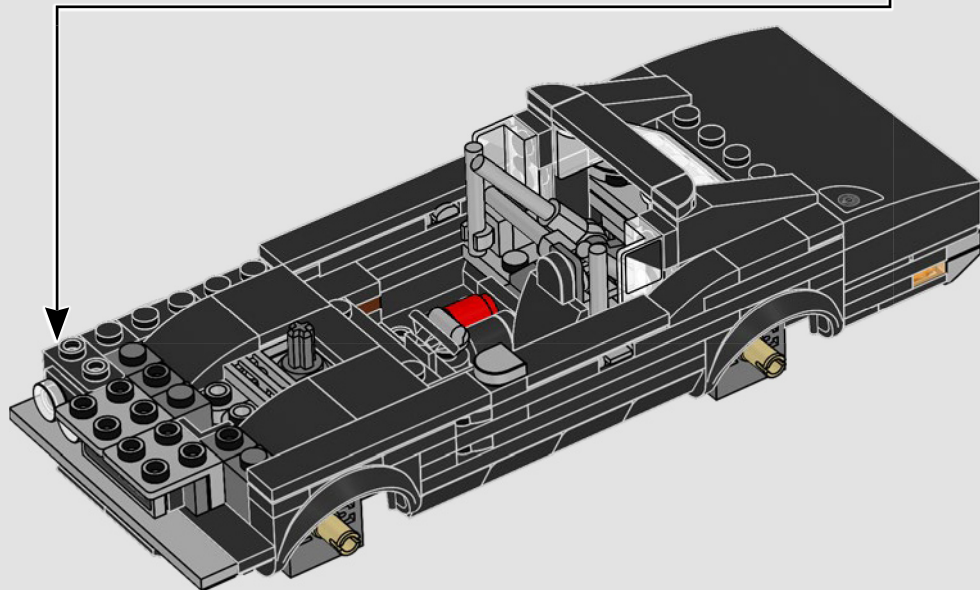
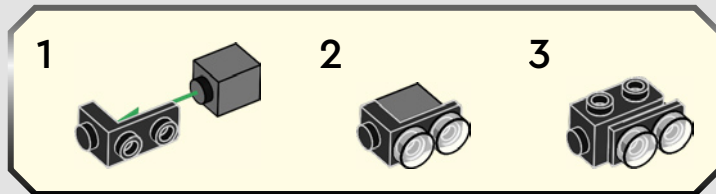
87

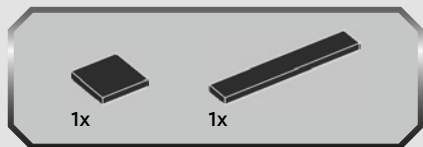




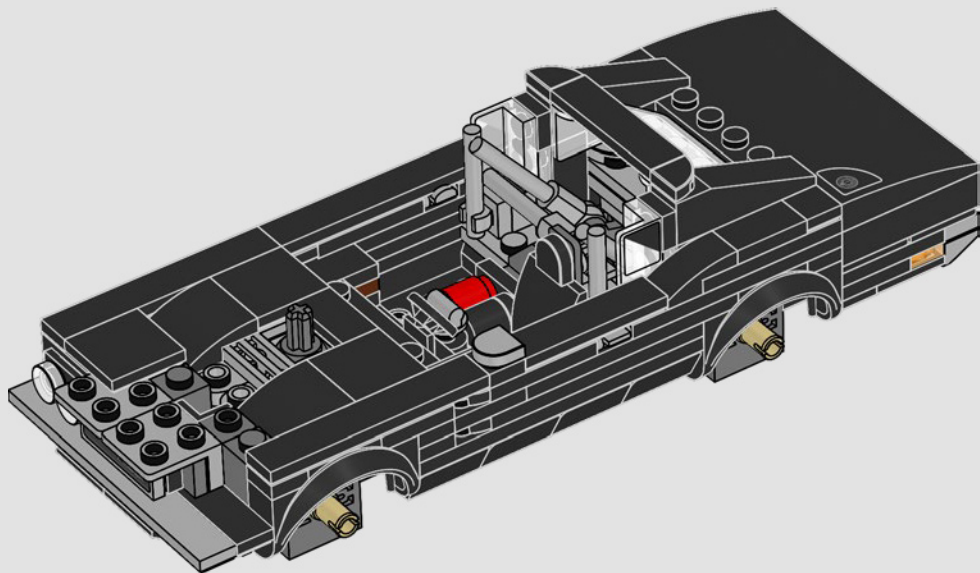


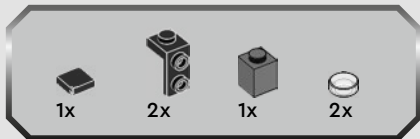
88



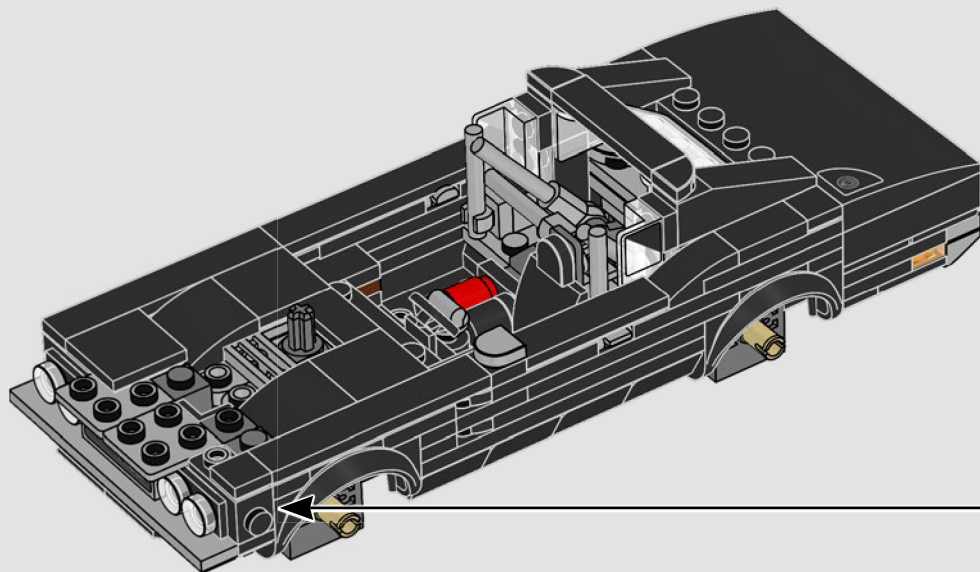
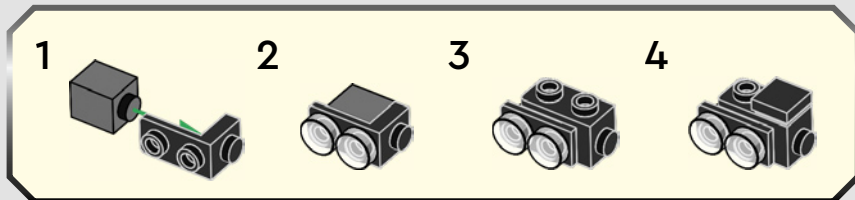


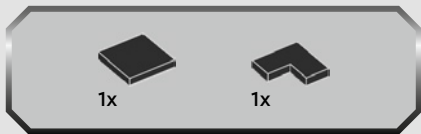
89



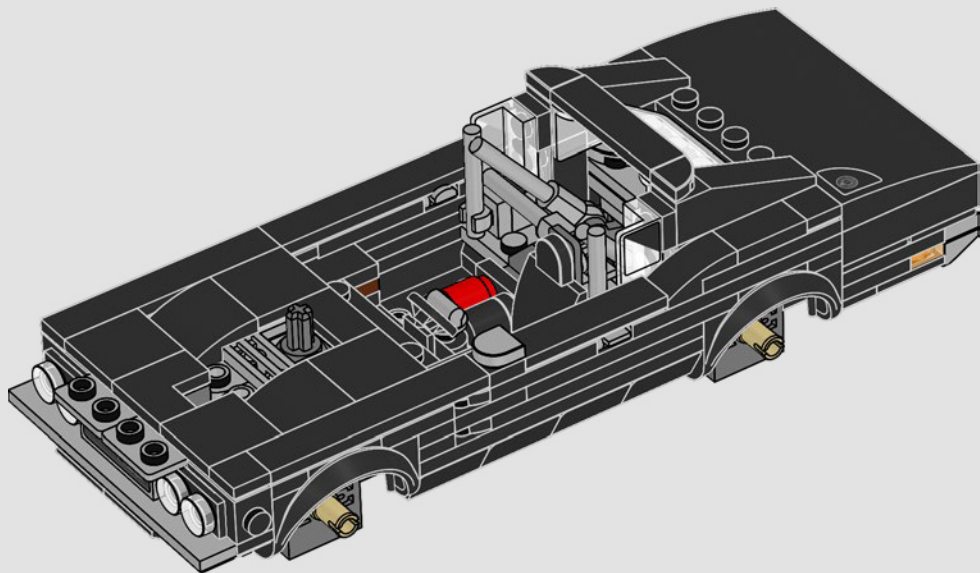


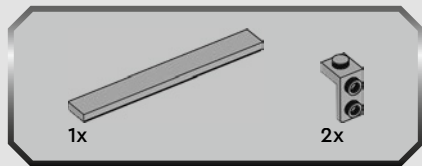
90





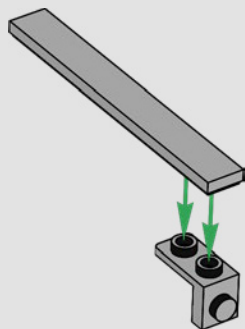
91



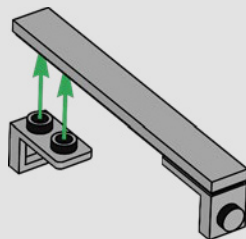


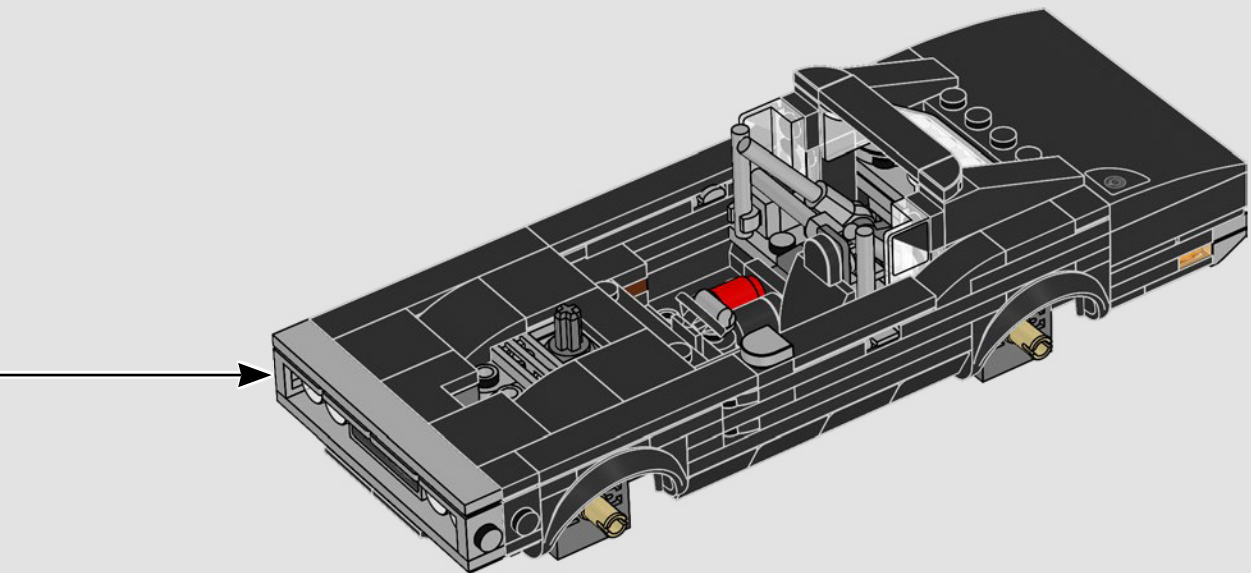
92

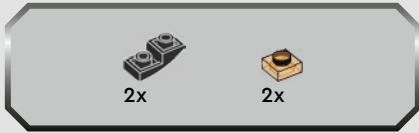
1



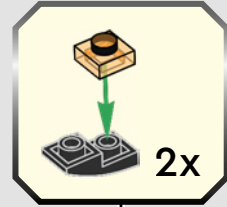
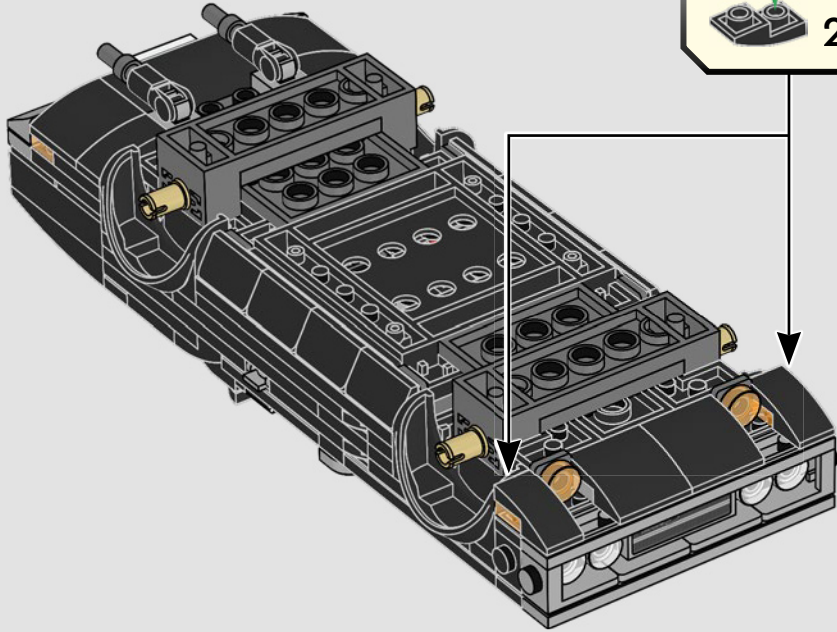
2





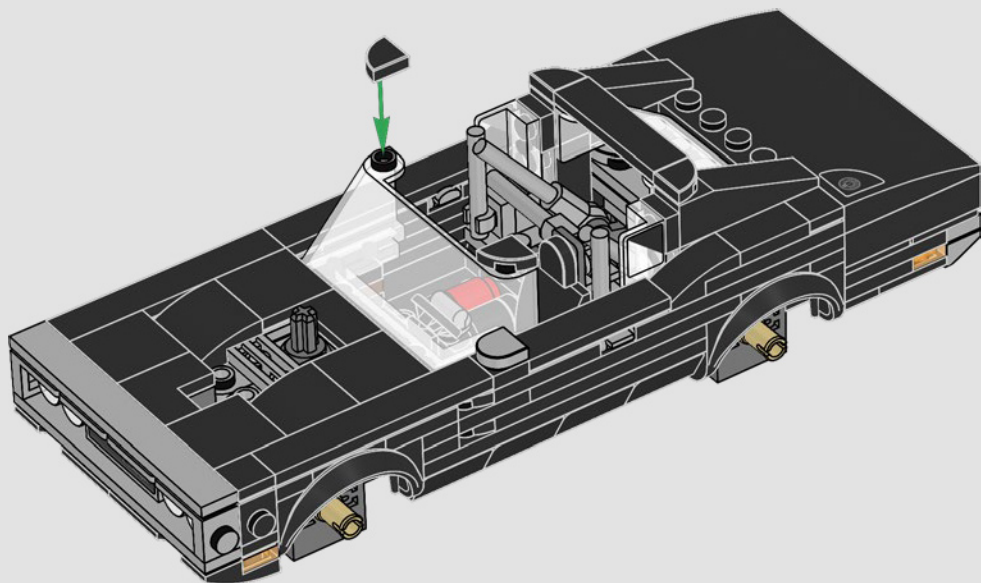


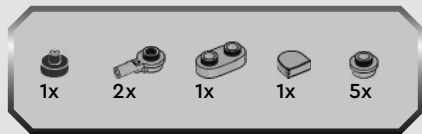
93





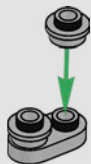
94



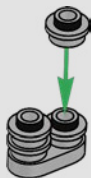


95

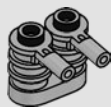
1



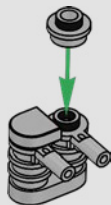
2



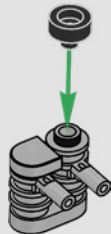
3

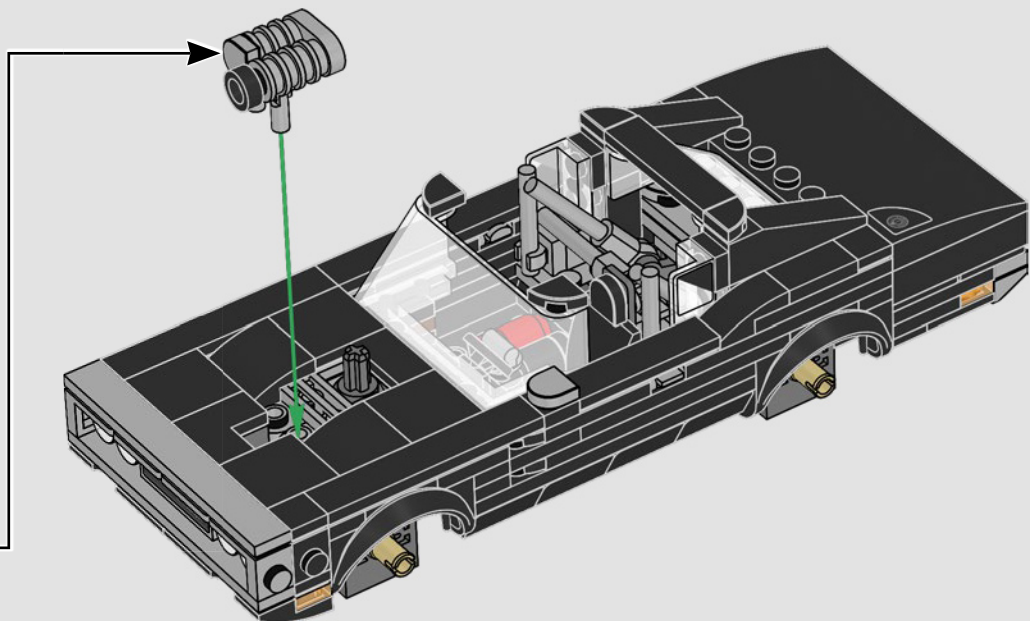


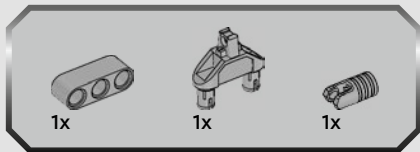
4



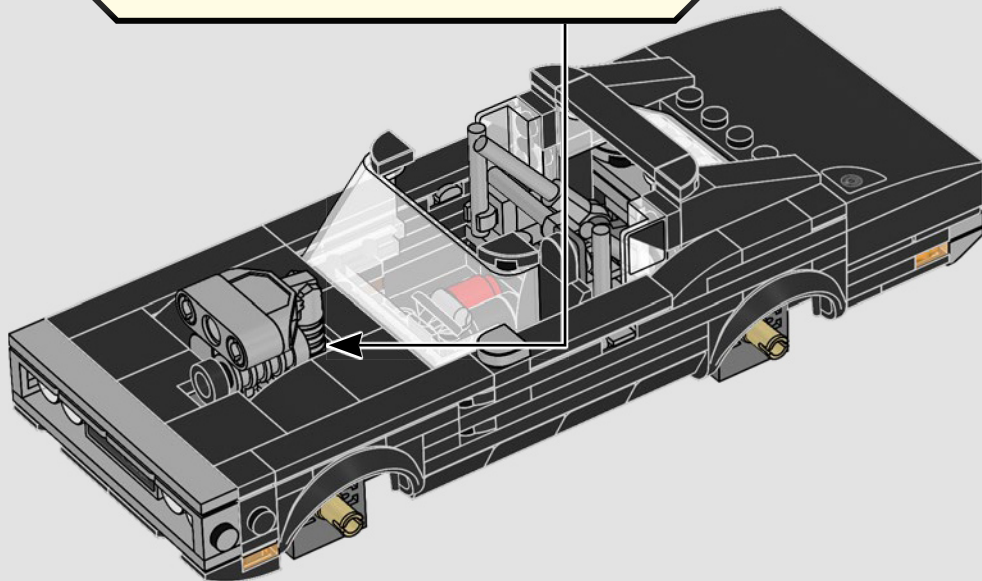
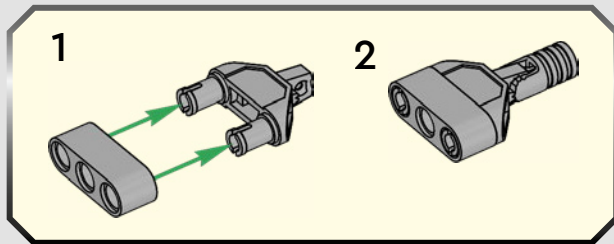
5



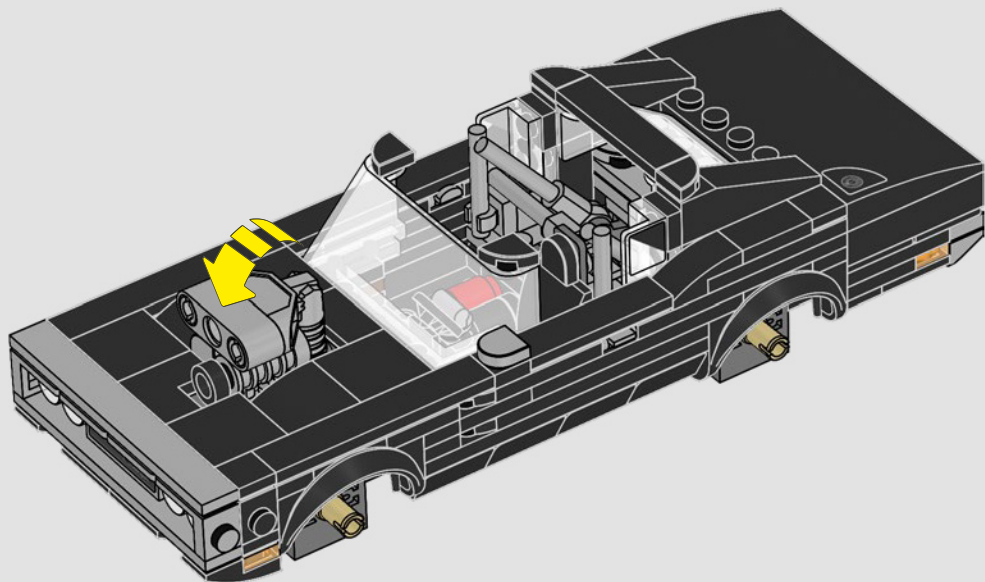


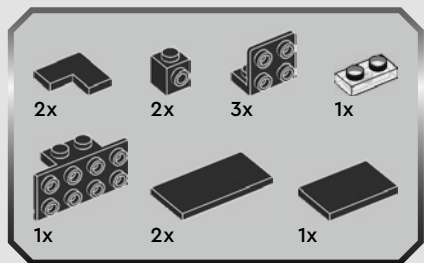


96



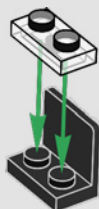
97



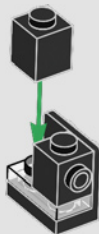


98

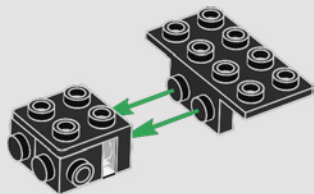
1



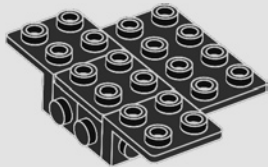
2



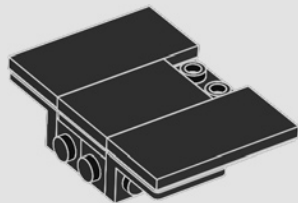
3



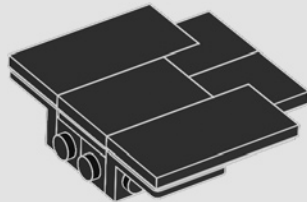
4

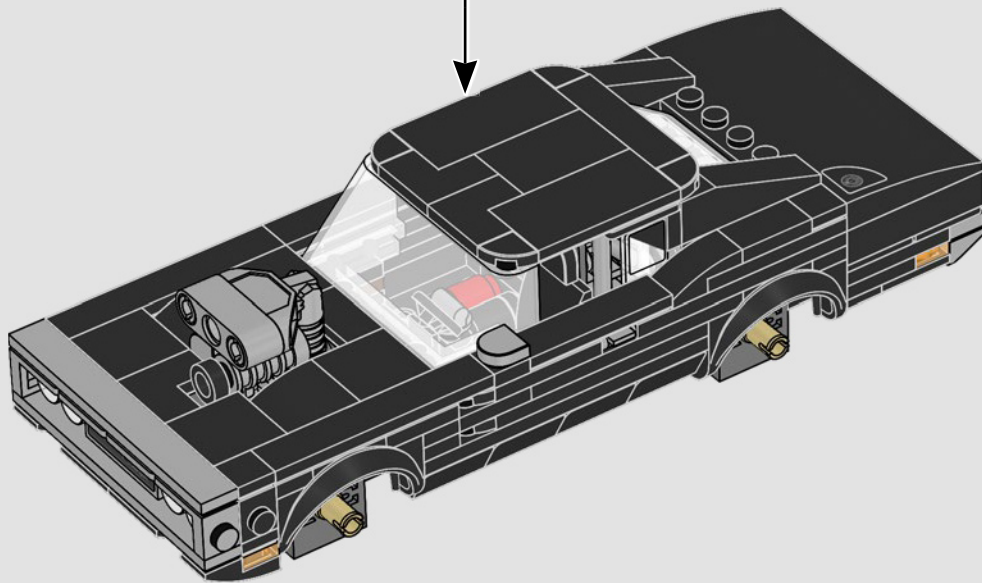


5



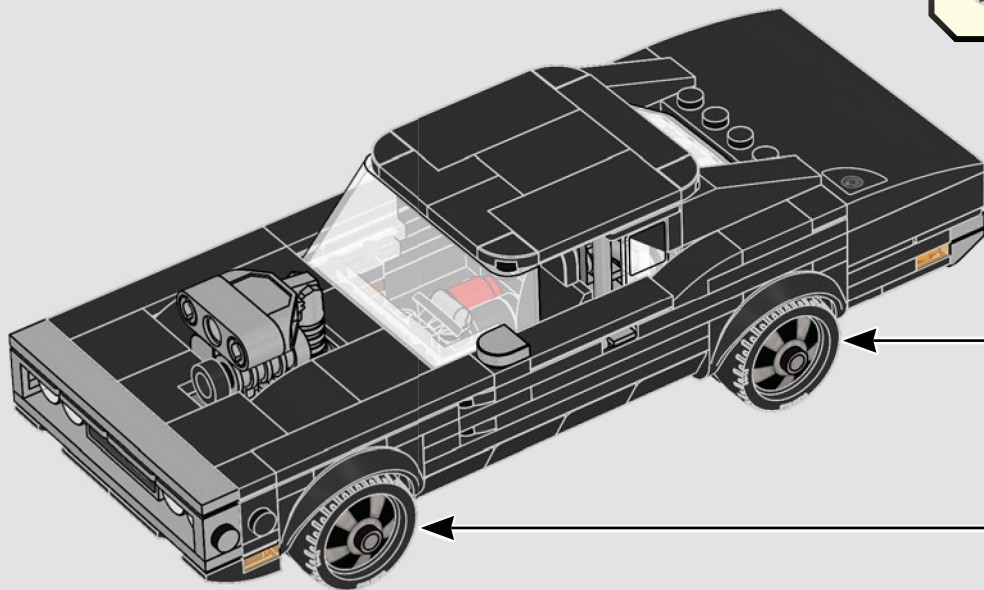
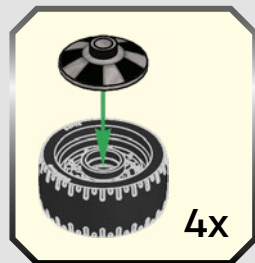
6

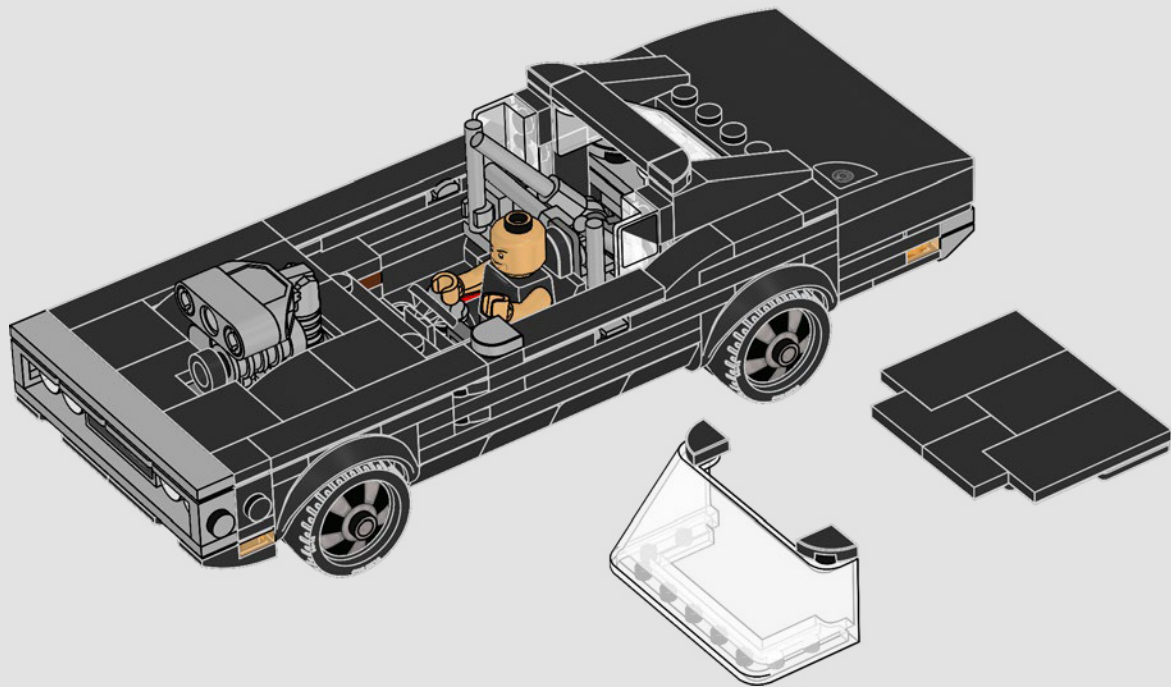


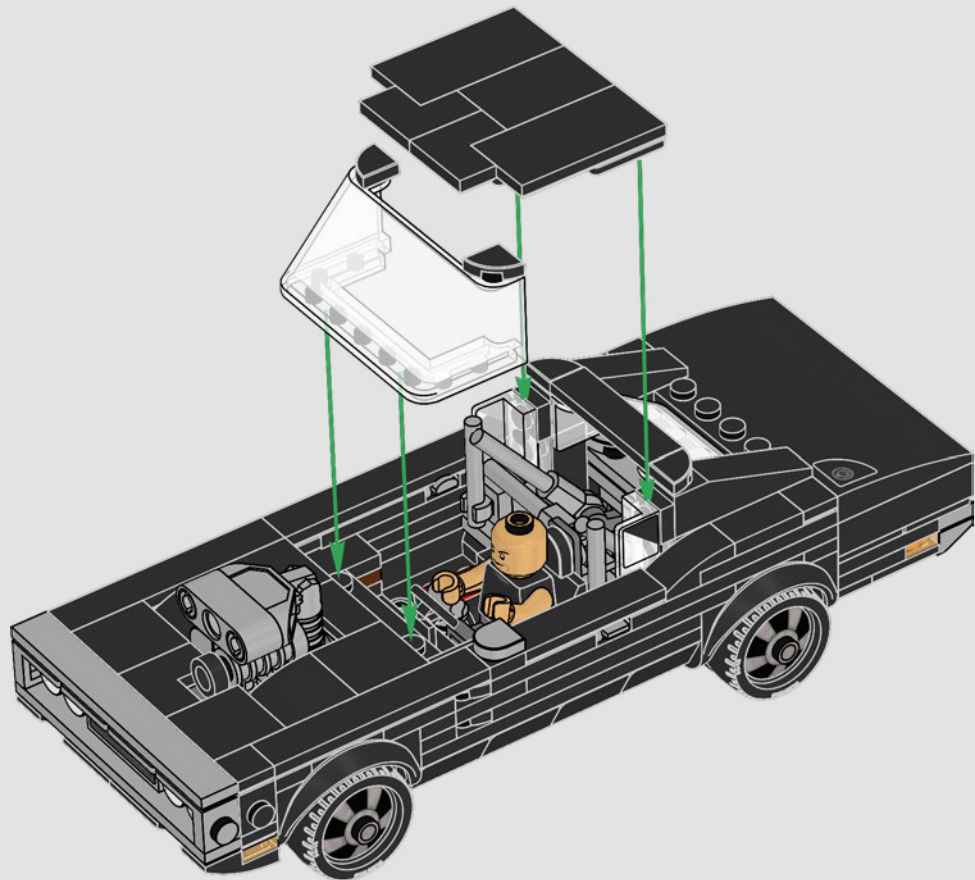


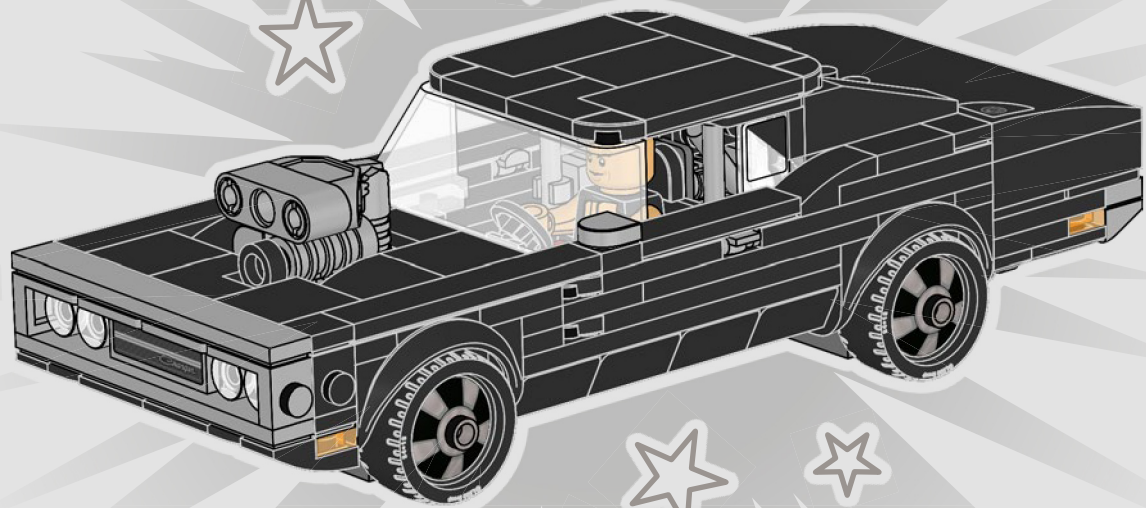


99











SPEED CHAMPIONS



76911



76912



76910



76906



76907



76908



76909

Produced under license of Ferrari S.p.A. The name FERRARI, the PRANCING HORSE device, all associated logos and distinctive designs are property of Ferrari S.p.A. The body designs of the Ferrari cars are protected as Ferrari S.p.A. property under design, trademark and trade dress regulations.

Dodge, HEMI and related logos, vehicle model names and trade dress are trademarks of FCA US LLC and used under license by The LEGO Group. ©2022 FCA US LLC.

The "Lamborghini" and "Lamborghini Bull and Shield" trademarks, copyrights, designs and models are used under license from Automobili Lamborghini S.p.A, Italy.

and are the intellectual property of Daimler AG. They are used by LEGO System A/S under license.

Manufactured under license from Mercedes-Benz Grand Prix Ltd. All logos featured on the livery and tyres are used with the permission

of their respective owners all of whom reserve their respective rights in the same.

Cinturato and are trademarks of the Pirelli Group used under license.

"Aston Martin" and the Aston Martin "wings" logo are trade marks of Aston Martin Lagonda Limited. These trade marks may not be used without its permission. All rights are reserved. and related James Bond Trademarks India © 1962-2022 Danjaq, LLC and Metro-

Goldwyn-Mayer Studios, Inc. and related James Bond Trademarks are trademarks of Danjaq, LLC. All Rights Reserved.

© Universal City Studios LLC. All Rights Reserved.

Manufactured by LEGO System A/S under licence from Group Lotus Limited.



4x
6176240



1x
306901



2x
362301



1x
6431710



4x
4666579



2x
6321194



2x
6186675



2x
6256435



13x
302426



4x
307026



4x
4558954



1x
6273589



2x
6228987



1x
4106347



8x
6172383



4x
6380236



8x
4548180



4x
302326



2x
6147050



1x
306926



4x
6047276



1x
73081



3x
6000650



4x
306826



1x
302226



4x
6192346



2x
6211476



5x
6053077



12x
242026



3x
6133722



3x
362326



1x
400626



4x
6336858



5x
6118829



1x
6414135



1x
6162892



2x
302126



2x
6254045



2x
371026



6x
243126



2x
4515362



2x
6174917



2x
4560182



4x
6252537



3x
663626



7x
366626



2x
346026



1x
303426



1x
6186061



1x
6287679



1x
306221



1x
6215539



2x
300421



2x
6372383



1x
6135130



2x
242021



2x
371021



2x
6238874



6x
4211150



2x
6355025



1x
6343976

9x
6168647
1x
6378136
4x
6250597
2x
6217791
2x
4521921
2x
6401023
5x
6308012
2x
6176433
2x
6362975
16x
6248890
2x
6227897

2x
4568637
1x
6271539
2x
4211414
2x
6043656
1x
4211350
2x
4654580
1x
6004990
1x
6413107
5x
6093527

3x
6212077
4x
4211353
1x
4211655
1x
6211969
1x
4558169
2x
6414137
1x
6257593
4x
4211452

2x
4211481
4x
6274738
3x
6240204
2x
6246888
1x
6413108
1x
6255922
1x
6343854

2x
6414141
2x
6414139
2x
6274747
14x
6252040
4x
6414133
1x
6414149
2x
6350724
12x
6413106
3x
6336390
6x
4211098

2x
6388119
1x
6005331
5x
6092572
1x
6168776
1x
6178919
2x
6039479

1x
4222693
1x
4211065
2x
4243831
2x
6287680

Customer Service
Kundenservice
Service Client
Assistenza clienti
Atención al cliente
Serviço de Apoio ao Consumidor
Ügyfélszolgálat
Klientu apkalpošanas dienests
Serviciul pentru client
客户服务
コンシューマーサービス
고객 서비스
LEGO.com/service

WIN

Terms & Conditions apply

Scan this QR code or go to **LEGO.COM/PRODUCTFEEDBACK** and give us your short feedback about this LEGO® set for a chance to win a cool LEGO prize.



GEWINNE

Scanne diesen QR-Code oder geh auf [LEGO.COM/PRODUCTFEEDBACK](https://www.lego.com/productfeedback)

und gib uns dein kurzes Feedback zu diesem LEGO® Set. Dann hast du die Chance, einen coolen LEGO Preis zu gewinnen.

Es gelten die Teilnahmebedingungen

GAGNE

Scannez ce code QR ou rendez-vous sur [LEGO.COM/PRODUCTFEEDBACK](https://www.lego.com/productfeedback)

pour donner votre avis sur ce produit LEGO® et avoir une chance de gagner un prix LEGO.

Voir Conditions Générales

GANAN

Escanea este código QR o visita [LEGO.COM/PRODUCTFEEDBACK](https://www.lego.com/productfeedback)

y comparte con nosotros tu opinión sobre este set LEGO® para tener la oportunidad de ganar un fantástico premio LEGO.

Términos y Condiciones aplicables

获取奖品

只需扫描此二维码或访问 [LEGO.COM/PRODUCTFEEDBACK](https://www.lego.com/productfeedback),

就这款乐高®套装提供简短反馈,就有机会赢得很酷的乐高奖品。

《条款及条件》适用

LEGO and the LEGO logo are trademarks of the/sont des marques de commerce du/son marcas registradas de LEGO Group. ©2022 The LEGO Group.

Dodge, HEMI and related logos, vehicle model names and trade dress are trademarks of FCA US LLC and used under license by the LEGO Group.

©2022 FCA US LLC.

© Universal City Studios LLC. All Rights Reserved.

6432391